

1.5 to 6 Ton Vertical Self-Contained Packaged Wall Mount Air Conditioners

Models MAA1018A - MAA1060A & MGA1072A (Single Stage Cooling)

MAA2024A - MAA2060A (2-Stage) & MAA2060A - MAA2072A & MGA2072A (2-Stage & Center Supply/Top Return)



General Description

Used to cool electronic and communication equipment shelters, modular buildings, classrooms and a variety of commercial/industrial structures, Marvair[®] wall mount air conditioners are versatile problem solvers for a wide range of conditions and applications. Due to the high internal heat load in applications such as electronic equipment shelters, cooling is required even when outside temperatures drop below 60°F (15°C). Marvair air conditioners have the necessary controls and components for operation during these (less than 60°F [15°C]) temperatures. All models use the non-ozone depleting R-410A refrigerant.

All Marvair wall mount air conditioners are available with an optional factory installed economizer. When ambient conditions are cool and dry, the economizer uses outside air to cool the shelter. The economizer provides temperature control, energy cost savings, and increased reliability by decreasing the operating hours of the compressor and the condenser fan. To insure proper operation and optimum performance, all economizers are non-removable, factory installed and tested. In addition, factory and field installed accessories can be used to meet specific requirements.

► High Efficiency Models

Marvair's energy efficient wall mount air conditioners meet or exceed the US Department of Energy's Btu/h efficiency levels of 11 EER for units less than 65,000 BTU/h cooling capacity and 10 EER for units larger than 65,000 BTU/h. Electronically commutated indoor fan motors combined with highly efficient scroll compressors result in these higher Energy Efficiency Ratios (EER's).



MAA1036AA



Features and Benefits

Built-In Energy Savings

- Optional Factory Installed Economizer
- Four Model Lines to Meet Any Budget and Efficiency Requirements
- Available EER of up to 11.50

R-410A Refrigerant

- Efficient Heat Release
- Non-Ozone Depleting Refrigerant
- Synthetic Lubricant
- Reduced Compressor Wear

High Efficiency and Reliability

- High Efficiency Compressor and Lanced Coil Fins
- High Pressure Switch Protection
- Liquid Line Temperature Monitoring & Control
- Suction Line Temperature monitoring & Control

Ease of Installation and Service

- Side Access Panels for Power Connections
- Built-In Mounting Flanges and Internal Disconnect
- Standard Access Valves and Filters, Status LEDs

Marvair MAA/MGA Wall Mount A/C PDS 07/2024 Rev. 46

Safety Listed and Energy Certified

All Marvair air conditioners are built to UL standard 1995, 4th edition and CAN/CSA C22.2, No. 236-11 Ed.4. For energy efficiency and performance, the units are tested and rated in accordance to the ANSI/ARI (Air-Conditioning and Refrigeration Institute) Standard 390- 2003 (Single Package Vertical Units). All units meet or exceed the efficiency requirements of ANSI/ASHRAE/IESNA 90.1.2016. Marvair air conditioners are commercial units and are not intended for use in residential applications.

Standard Features

➤ Designed for Operation in Low Ambient Conditions

- Low ambient control cycles condenser fan to maintain proper refrigerant pressures. Allows operation in mechanical cooling (compressor) of our standard air conditioners down to 20°F (-7°C). With the Extreme Duty option, the units will operate down to 0°F (-18°C). Note: low temperature operation is affected by ambient conditions, e.g. wind and humidity.
- Three minute by-pass of the low pressure sensor for start-up of compressor when outdoor temperatures are below 55°F (13°C).
- Optional economizer.

➤ Designed for Operation on Generator Power

- All Marvair single & three phase air conditioners are designed to operate on Generator Power. See *Summary Electrical Ratings* for your specific model

➤ High Efficiency

- High efficiency compressor.
- Lanced fins standard on all evaporator and condenser coils.

➤ Remote Alarm Capability

- Dry contacts can be used for remote alarm or notification upon air conditioner lockout.

➤ Built-in Reliability

- High pressure switch and low pressure sensor with lockout protects refrigerant circuit.
- Built in 3-minute delay on break anti-short cycle protection.

➤ Ease of Service

- Service access valves are standard.
- Standard 2" (50 mm) pleated filter with a MERV rating of 8 changeable from outside.
- All major components are readily accessible.
- Front Control Panel allows easy access and complies with NEC clearance codes on redundant side-by-side systems.
- LEDs indicate operational status and fault conditions.
- Foil backed insulation on the indoor air path.
- A minimum position potentiometer that can be adjusted to prevent the economizer damper from closing completely. This control ensures that whenever the evaporator fan is operating, fresh air is being introduced into the building.

➤ Thermal Expansion Valve

- Improves performance in hot ambient temperatures. Optional on MGA1072 models.

➤ Rugged Construction

- Copper tube, aluminum fin evaporator & condenser coils.
- Field or factory installed heaters on discharge side of evaporator coil (optional)
- Baked on neutral beige finish over galvanneal steel for maximum cabinet life. (Other finishes are available.)
- A sealed condenser fan motor resists sand and corrosion.

➤ Ease of Installation

- Sloped top with flashing eliminates need of rainhood.
- Built-in mounting flanges facilitate installation and minimize chance of water leaks.
- Supply and return openings exactly match previous models.
- Factory installed disconnect.
- Single Point Power Entry complies with latest edition of U.L. Standard 1995.
- Side access panels on economizer models for easy access to electrical connections.
- Phase monitor on all 3-Phase units to continuously measures the voltage of each of the three phases. Separate sensing of low/high voltage, voltage imbalance including phase loss and phase reversal.

A Marvair® First – Factory Installed Economizer

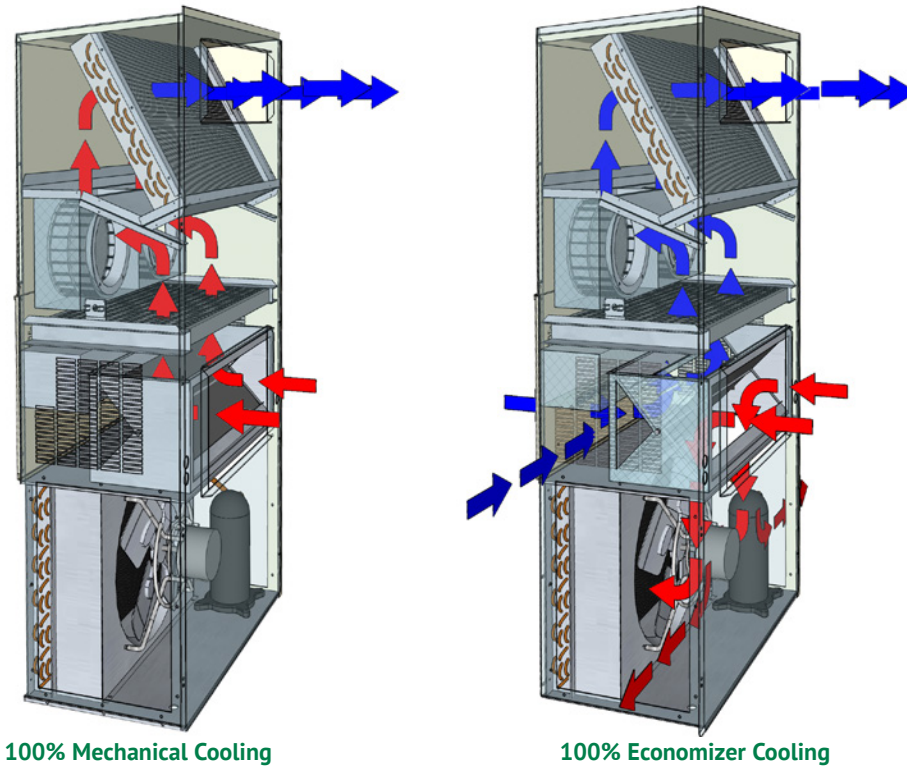
Marvair's wall mount air conditioners have been the industry standard since their introduction in 1986. Tens of thousands of Marvair air conditioners are in operation from the metropolitan areas of North America to the deserts of the Mid-East to the Siberian tundra. Here's how the economizer works:

On a signal from the wall mounted indoor thermostat that cooling is required, either mechanical cooling with the compressor or free cooling with the optional economizer is provided. A factory installed enthalpy controller determines whether the outside air is sufficiently cool and dry to be used for cooling. If suitable, the compressor is locked out and the economizer damper opens to bring in outside air. Integral pressure relief allows the interior air to exit the shelter, permitting outside air to enter the shelter. The temperature at which the economizer opens is adjustable from 63°F (17°C) at 50% Relative Humidity to 73°F (23°C) at 50% Relative Humidity.

After the enthalpy control has activated and outside air is being brought into the building, the mixed air sensor measures the temperature of the air entering the indoor blower and then modulates the economizer damper to mix the right proportion of cool outside air with warm indoor air to maintain 50-63°F (10 - 17°C) air being delivered to the building. This prevents shocking the electronic components with cold outside air. The compressor is not permitted to operate when the economizer is functioning.

If the outside air becomes too hot or humid, the economizer damper closes completely, or to a field selectable minimum open position, and mechanical cooling is activated.

In all Marvair air conditioners, the supply air flow in the economizer mode is the same or greater than the rated air flow. (The rated air flow is the AHRI certified air flow when the unit is in mechanical cooling.) The “full flow” economizer reduces electrical costs by maximizing the use of outside air for cooling.



*Artists rendering may vary from actual production units.

Savings with an Economizer

The following table shows the annual electrical cost of cooling a 10 ft. x 20 ft. x 9 ft. (3m x 6m x 2.7m) shelter in twelve cities in the US. Costs are shown for an air conditioner without an economizer, for an air conditioner with an economizer and the savings. The savings do not include any demand charges. The savings are based on the electrical usage of a five ton air conditioner and an electric rate of \$.11 per kilowatt-hour, the approximate average commercial rate in the US.

Hours of Operation	Atlanta, GA	Boston, MA	Chicago, IL	Dallas, TX	Denver, CO	Houston, TX
Annual Compressor & Condenser Motor Run Time without Economizer (Hrs.)	6,176	6,016	6,018	6,282	6,022	6,299
Annual Compressor & Condenser Motor Run Time with Economizer (Hrs.)	3,456	1,947	2,106	4,062	1,930	4,495
Run Time Savings with the Economizer (Hrs.)	2,720	4,069	3,912	2,220	4,092	1,804
Annual Costs Saving (\$) of 11.0 EER unit with an Economizer						
Annual Operating Cost 11.0 EER Unit without Economizer (\$)	\$3,150	\$3,068	\$3,069	\$3,204	\$3,072	\$3,212
Annual Operating Cost 11.0 EER with Economizer	\$2,071	\$1,459	\$1,525	\$2,323	\$1,454	\$2,496
Annual Savings using 11.0 EER Unit with Economizer	\$1,079	\$1,609	\$1,544	\$881	\$1,454	\$716

Hours of Operation	Los Angeles, CA	Miami, FL	Phoenix, AZ	Pittsburgh, PA	Seattle, WA	St. Louis, MO
Annual Compressor & Condenser Motor Run Time without Economizer (Hrs.)	6,105	6,434	6,473	6,026	5,999	6,120
Annual Compressor & Condenser Motor Run Time with Economizer (Hrs.)	3,121	6,062	4,799	2,172	1,093	2,896
Run Time Savings with the Economizer (Hrs.)	2,984	372	1,674	3,854	4,906	3,224
Annual Costs Saving (\$) of 11.0 EER unit with an Economizer						
Annual Operating Cost 11.0 EER Unit without Economizer (\$)	\$3,114	\$3,282	\$3,302	\$3,073	\$3,060	\$3,122
Annual Operating Cost 11.0 EER with Economizer	\$1,926	\$3,133	\$2,636	\$1,550	\$1,114	\$1,846
Annual Savings using 11.0 EER Unit with Economizer	\$1,188	\$48	\$666	\$1,523	\$1,946	\$1,275

Shelter Metrics:

- 10' x 20' x 9' building
- Internal heat gain (electronics load): 12,000 watts.
- Building surface area (excluding floor area): 740 ft²
- R-Value of walls and ceiling: R-12
- Internal shelter temperature (Thermostat set point): 75°F

Air Conditioner Metrics:

- Economizer setting: 63°F (dry bulb or enthalpy sensor)
- A/C unit capacity: 60,000 BTUH (5 tons) with 1-stage compressor
- Nominal EER (unit efficiency): 11.0
- Cost of power: \$.11 per KWH

Options for Outside Air for Ventilation

ASHRAE standard 62 requires 30 cfm of outside air per occupant of a classroom. To meet this requirement, Marvair offers ventilation packages for every budget and requirement.

➤ Configuration “C”: Up to 100% Modulating Economizer

The economizer reduces the cost of air conditioning by using outside air when acceptable to cool the room (Free Cooling). The factory installed Marvair® economizer has integral pressure relief.

Control Board Logic: Upon a “Call for Cooling”, the economizer control board calculates whether the HVAC operates in economizer mode or mechanical cooling mode based on outdoor temperature (dry bulb) or temperature/humidity (enthalpy). When outdoor conditions are favorable for economizer cooling, the damper drives open and modulates to maintain a 55°F mixed air temperature through the supply grille. When outdoor conditions are not favorable for economizer cooling, the economizer damper remains closed, and the HVAC unit will operate in mechanical cooling mode.

Features Designed for Telecommunication applications:

Hydrogen Fault Input: When 24VAC is applied to the H_FLT input, the economizer board forces the damper to open 100% for emergency ventilation. The compressor does not operate during Hydrogen Fault/Emergency Ventilation. Thermostat must provide the fan “G” signal to HVAC to activate the indoor blower.

Forced Mechanical Cooling: When 24VAC is applied to the FC input of the economizer board, the economizer damper is forced closed, and the HVAC will operate in mechanical cooling mode. This is considered as economizer override in the event economizer cooling is not sufficient for the heat load. Thermostat must provide the fan “G” signal to HVAC to activate the indoor blower.

Economizer Status: The economizer board has contacts that when used with the Marvair CommStat 4 Telecom HVAC Controller, change state to provide feedback to the CommStat 4 to indicate when the HVAC is in economizer mode versus mechanical cooling mode. This feedback allows the CommStat 4 to initiate the forced cooling feature to override economizer cooling and force mechanical cooling.

When used with minimum position potentiometer (optional), the Marvair® economizer can meet requirements of ASHRAE Std. 62.

➤ Configuration “D”: Two-Position Motorized Fresh Air Damper w/Pressure Relief Ventilation

Control Board Logic: The 92589 control board allows the position of the “D” damper to be set for desired outside air intake from fully closed to fully open. Setting 15 of the control board configuration menu allows the user to set the position from 20 (2VDC / Closed) to 100 (10VDC 100% open). The damper position can be adjusted in 1VDC increments to any position from closed to 100% open as required.

Operation: Anytime the indoor blower operates, the damper drives open to the position selected in the control board configuration menu setting 15. When the indoor blower stops operation the motorized damper spring returns to the fully closed position.

Note: This circuit does not interrupt the compressor or heater operation.

➤ Configuration “E”: Two-Position Motorized Fresh Air Damper w/Pressure Relief Ventilation & Independent Control

Control Board/Factory Installed Relay Logic: The 92589 control board allows the position of the “E” damper to be set for desired outside air intake from fully closed to fully open. Setting 15 of the control board configuration menu allows the user to set the position from 20 (2VDC / Closed) to 100 (10VDC 100% open). The damper position can be adjusted in 1VDC increments to any position from closed to 100% open as required.

Operation: Upon a “Call for Motorized damper” via a 24V signal from an external user-installed device, the motorized damper opens to the position selected in the control board configuration menu setting 15 and the indoor blower operates. A 24VAC signal {sourced from LVTB 24VAC “R” and supplied through a user-provided Normally Open (NO) contact} activates (opens) the Motorized Damper and connected Relief Damper. When the 24VAC signal is removed, the motorized damper spring returns to the fully closed position and the indoor blower stops operation. The motorized damper Does NOT open when there is a call for the indoor fan (G).

Note: This circuit does not interrupt the compressor or heater operation.

➤ Configuration “F”: No Free Cooling, 100%- Damper Opening, Emergency Ventilation Only w/Pressure Relief and Independent Control

Factory Installed Relay Logic: Upon a “Call for emergency ventilation”, from an external user-provided device; the motorized damper opens to 100% open position and the indoor blower is forced to operate. During “Emergency Ventilation mode”, the compressor and heater do not operate. The relay has a wire lead extended for the installer to connect their emergency ventilation control signal.

Note: This circuit interrupts the compressor and heater operation and forces the indoor blower and damper to operate during emergency ventilation mode.

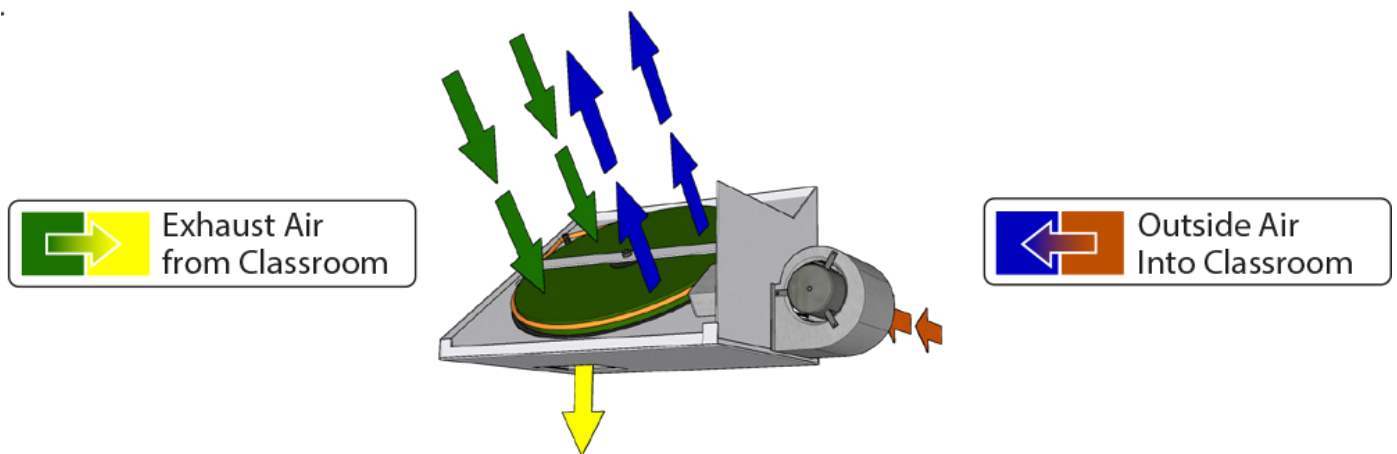
➤ **Configuration "H": GreenWheel® ERV Energy Recovery Ventilator (Optional only for MAA1030/2030 - MAA1060/2060)**

Allows independent control of the exhaust and intake blowers. When used, the standard speed controller operates the intake blower and the optional second controller, the exhaust blower. Individual blower control allows positive pressurization of the classroom. Field or factory installed.

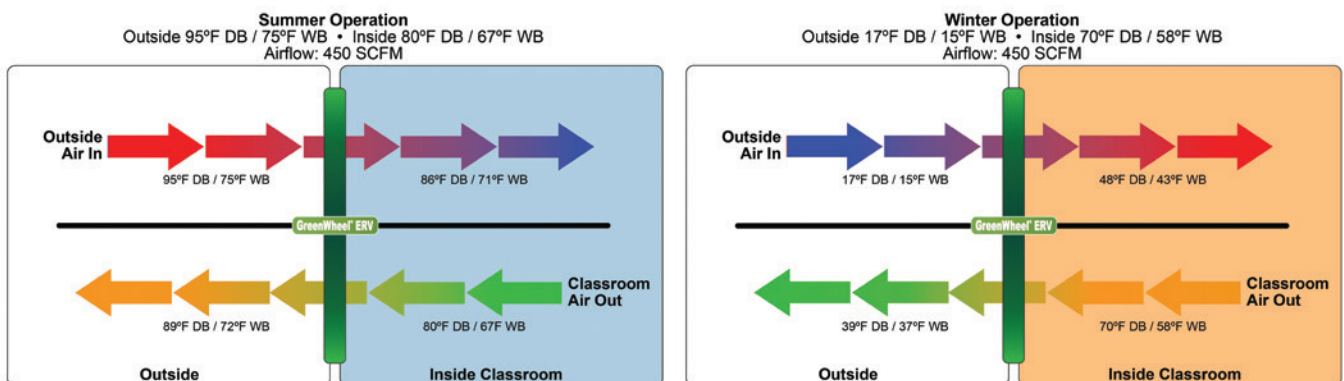
The Marvair GreenWheel® ERV is a total energy (both sensible and latent) wheel that reduces both construction and operating cost while ventilating the classroom to ASHRAE 62-1999 requirements. The use of the GreenWheel ERV reduces the energy load of the outside air. Exhausting stale, inside air keeps indoor pollutants and harmful gases to a minimum. The Marvair GreenWheel ERV has been tested and certified according to ARI Standard 1060.

How It Works - During the summer, cool dry air from the classroom is exhausted through the GreenWheel ERV to the outside. As the air passes through the rotating wheel, the desiccant becomes cooler and drier. Simultaneously, hot humid air is being pulled across the rotating wheel. The cool, dry desiccant absorbs moisture and heat from the incoming air. The cooler, drier air is mixed with the return air from the classroom and distributed throughout the room.

In the winter, warm moist air is exhausted through the GreenWheel ERV to the outside. As the air passes through the rotating wheel, the desiccant becomes warmer and absorbs moisture. Simultaneously, cold dry air is being pulled across the rotating wheel. The cold, dry air absorbs heat and moisture from the desiccant. The warmed air is mixed with the return air from the classroom and distributed throughout the room.



Quality Components - The GreenWheel ERV Ventilation package consists of the GreenWheel cassette, an incoming air blower, an exhaust air blower, an air filter for the incoming air and one fan speed controller that controls the speed of both blower motors simultaneously. As an option, a second fan speed controller can be factory installed for independent control of the exhaust air motor and positive pressurization of the classroom. Also, an optional filter on the exhaust air is available on selected models. Please consult your Marvair representative for details. The two blowers simultaneously pull fresh air from outside and exhaust air from the classroom through the rotating wheel. The air streams are separated by an insulated partition so that the incoming fresh air is not mixed with the exhaust air. Two variable speed blowers ensure that up to 450 CFM of outside air can be brought into the room and the indoor air is properly exhausted. Variable speed blowers permit that the desired quantity of outside air is delivered into the room. Optional independent exhaust air blower control allows positive pressurization of the classroom, i.e., more outside air can be introduced through the GreenWheel ERV than is exhausted.



GreenWheel® Energy Recovery Ventilator Performance

SCFM* of Outside Air	Energy Conserved, BTUH					
	95° DB/73° WB Outside • 80° DB/67° WB Inside			95° DB/80° WB Outside • 80° DB/67° WB Inside		
	Sensible	Latent	Total	Sensible	Latent	Total
225	2,900	1,100	4,000	2,900	6,400	9,300
250	3,100	1,200	4,300	3,100	6,900	10,000
325	3,700	1,400	5,100	3,700	8,100	11,800
400	4,200	1,500	5,700	4,200	9,100	13,300
450	4,500	1,600	6,100	4,500	9,700	14,200

SCFM* of Outside Air	Energy Conserved, BTUH								
	90° DB/74° WB Outside • 75° DB/64° WB Inside			80° DB/70° WB Outside • 75° DB/64° WB Inside			60° DB/54° WB Outside • 70° DB/58° WB Inside		
	Sensible	Latent	Total	Sensible	Latent	Total	Sensible	Latent	Total
225	2800	3600	6400	900	2800	2700	1900	200	2100
250	3000	3800	6800	1000	3000	4000	2000	200	2200
325	3600	4500	8100	1200	3500	4700	2400	200	2600
400	4100	4900	9000	1400	3800	5200	2700	300	3000
450	4300	5200	9500	1400	4000	5400	2900	300	3200

SCFM* of Outside Air	Energy Conserved, BTUH								
	40° DB/36° WB Outside • 70° DB/58° WB Inside			20° DB/18° WB Outside • 70° DB/58° WB Inside			0° DB/7° WB Outside • 70° DB/58° WB Inside		
	Sensible	Latent	Total	Sensible	Latent	Total	Sensible	Latent	Total
225	5600	3300	8900	9300	4900	14200	13000	5700	18700
250	6000	3600	9600	10000	5300	15300	14000	6100	14100
325	7200	4200	11400	12000	6200	18200	16700	7100	23800
400	8100	4600	12700	13500	6800	20300	18900	7900	26800
450	8600	4800	13400	14400	7100	21500	20100	8200	28300

*SCFM = Standard Cubic Feet per Minute
 For performance of the GreenWheel® ERV at conditions other than those shown, please contact your Marvair® representative or the factory.

For performance of the GreenWheel ERV at conditions other than those shown, please contact your Marvair representative or the factory.

➤ Configuration “N”: Manual Fresh Air Damper (Standard)

Barometric damper capable of up to 15% of the air conditioner’s total rated airflow of outside air; field adjustable, no pressure relief.

Controllers and Thermostats

➤ Thermostats and Controllers for Single Stage and 2-Stage Air Conditioners

See the *Marvair Thermostats and Controllers Product Data Sheet* for the thermostats and controllers for use with Marvair air conditioners.

Supply/Return Grilles

➤ Supply Grilles

- MAA1018A - 13” x 5” (330 mm x 125 mm).....P/N 80685
- MAA1020A,MAA1024A,MAA1024A “B2” - 20” x 8” (508 mm x 203 mm).....P/N 80674
- MAA1030A,MAA1030A “B2”,MAA1036A,MAA1036A “B2” - 28” x 8” (711 mm x 203 mm)P/N 80675
- MAA1042A,MAA1048A,MAA1060A - 30” x 10” (762 mm x 254 mm).....P/N 80676
- MAA2060A,MGA1072A & MGA2072A Center Supply/Top Return - 30” x 16” (762 mm x 406 mm).....P/N 93197
- MGA1072A & MGA2072A - 30” x 10” (762 mm x 254 mm).....P/N 80676

➤ Return Grilles

- MAA1020A,MAA1024A,MAA2024A & MAA1024A “B2” - 20” x 12” (508 mm x 305 mm).....P/N 80677
- MAA1030A,MAA1036A,MAA2030A,MAA2036A & MAA1030A “B2”, MAA1036A “B2” - 28” x 14” (711 mm x 356 mm)....P/N 80678
- MAA1042A,MAA1048A,MAA1060A,MAA2042A,MAA2048A,MAA2060A,MAA2072A- 30” x 16” (762 mm x 406 mm)....P/N 80679
- MAA2060A,MGA1072A & MGA2072A Center Supply/Top Return - 30” x 10” (762 mm x 254 mm).....P/N 93198
- MGA1072A & MGA2072A - 30” x 16” (762 mm x 406 mm).....P/N 80679

➤ Return Filter Grilles

Used when filter must be changed from the interior. Not recommended for economizer equipped air conditioners.

Note: Filter used in Return Filter Grille is 1” (25 mm) thick. Recommended for use with MAA1024A/1030A/1036A “B2”.

- MAA1018A - 14” x 12” (356 mm x 305 mm).....P/N 80680
- MAA1020A,MAA1024A,MAA1024A “B2” - 20” x 12” (508 mm x 305 mm).....P/N 80671
- 1” Replacement Filter.....P/N 91983
- MAA1030A,MAA1030A “B2”, MAA1036A,MAA1036A “B2” - 28” x 14” (711 mm x 356 mm).....P/N 80672
- 1” Replacement Filter.....P/N 80769
- MAA1042A,MAA1048A,MAA1060A,MAA2042A,MAA2048A,MAA2060A
- 30” x 16” (762 mm x 406 mm)P/N 80673
- 1” Replacement Filter.....P/N 80140

Options

Marvair air conditioners were designed and are built to stringent requirements of the communications/electronic shelter. Applications occur that have special requirements. Numerous options are available to meet these special needs.

► Hard Start Kit

Used on single phase equipment to give the compressor higher starting torque under low voltage conditions. (Field installed only) (Note: Not recommended for use on scroll compressors.)

► Dehumidification

Allows the electric heat to operate simultaneously with cooling. See Dehumidification Application Bulletin for details. Note: The electrical characteristics and requirements of air conditioners with the dehumidification option are different from standard air conditioners. Refer to the appropriate Summary Rating Charts for the electrical characteristics of units with Electric Reheat. Units with reheat require a thermostat and a dehumidistat for proper operation.

► Protective Coating Packages

Coated Coils: Either the condenser or evaporator coil can be coated. For harsh conditions, e.g., power plants, paper mills or sites where the unit will be exposed to salt water, the coils should be coated. **Note:** Cooling capacity may be reduced by up to 5% on units with coated coils.

Coastal Environmental Package: This package includes:

- Corrosion resistant fasteners,
- Sealed or partially sealed condenser fan motor,
- Insitu coating applied to all exposed internal copper and metal in the in the condenser section, and
- A protective coating on the condenser coil.

All Coat Package: Includes the same features as the Coastal Environmental Package and adds an impregnated polyurethane on the evaporator coil and the Insitu coating on all exterior and interior components and sheet metal.

Note 1: The insulated internal sheet metal and the internal control box are not coated.

Note 2: The corrosion prevention coating can not be applied to stainless steel.

► Protective Coil Coatings

The Condenser Coil or the Evaporator Coil or Both can be coated. Coating the Evaporator Coil is not common. For harsh conditions, e.g., power plants, paper mills or sites where the unit will be exposed to salt water, the coils should be protected by a protective coating. **Note:** Cooling capacity may be reduced by up to 5% on units with coated coils.

► Wall Mount Air Conditioner Transition Curb

Economizer equipped models only – A sheet metal curb that enables 3.5, 4 and 5 ton air conditioner to replace a 2.5 or 3 ton unit. Curb transitions supply and return openings of the 3-1/2, 4 and 5 ton units to the smaller openings.

► Hot Gas By-Pass (Non-Economizer Models)

Non-Economizer Models Only – Used in specialty applications; i.e., Magnetic Resonance Imaging (MRI) buildings, to prevent magnetic voltage disturbance caused by compressor cycling. Hot gas by-pass option packages are available to allow operation to 20°F (-7°C). Please refer to Hot Gas By-pass Application Bulletin for details. Not available on 1.5 and 2 ton models.

► High Filtration

Selected units are built with larger blowers/motors for use with higher efficiency filters with MERV ratings of 11, 13 and 14 when tested to ASHRAE 52.2. Units with economizers have a prefilter on the outside air. Contact your Marvair representative for specific models.

► Cabinet Color

Marvair air conditioners are available in six different cabinet colors. The standard colors are Marvair® beige, white, gray and Carlsbad Canyon (brown). The standard cabinet's sides, top and front panels are constructed of 20 gauge painted steel. Contact your Marvair representative for color chips. Custom colors are also available; contact Marvair for details.

Two stainless steel cabinet constructions are available:

Stainless Steel Exterior (Option "5"): This option replaces all standard exterior painted surfaces with stainless steel. This option also replaces the standard unpainted compressor base of the unit and exterior cabinet screws with stainless steel. No other standard construction surfaces are stainless steel in this option, unless listed in this description. Back panel is not stainless steel with this option. This option is designed to give a more economical alternative to full stainless steel, and still offer an enhanced level of protection. For further corrosion protection, please see our "A" offering at full stainless on all metal components.

Stainless Steel Unit (Option "A"): This option replaces all interior and exterior steel sheet metal parts with stainless steel. All galvanized and painted steel surfaces found in the standard unit are stainless steel with this option. All cabinet screws are stainless steel. No other standard construction surfaces are stainless steel, unless listed in this description. This option is designed to give our most robust protection against steel corrosion.

► Extended Warranty

A first-year labor (Silver), and a two-year labor (Gold) are available. See www.marvair.com for optional warranty details.

➤ **Dirty Filter Indicator**

A factory installed option that measures the difference in pressure across the internal filter and illuminates a LED when the pressure exceeds the desired difference.

➤ **Compressor Sound Jacket**

To reduce sound of compressor.

➤ **Lockable Disconnect Access Cover Plate**

The access plate to the service disconnect switch can be equipped with a lockable cover.

➤ **Washable Filter**

Spun aluminum construction allows cleaning of filters with water.

➤ **Hot Gas Reheat (HGR)**

A Hot Gas Reheat coil and controls allow the indoor humidity of the controlled environment to be maintained at or below a certain humidity set point. These units do not have the ability to add humidity to the room. Dehumidification is achieved by operating mechanical cooling in conjunction with a hot gas reheat coil.

➤ **Compressor Locations**

Most MAA air conditioners can be built with the compressor on the opposite side to facilitate service access when two units are installed side by side. On 1.5 - 3 ton models, the standard location for the compressor is on the right. On 3.5 - 5 ton models, the standard location for the compressor is on the left side, 6 ton models are in the center.

➤ **Desert Duty Package**

The Desert Duty package is a factory installed package of components and cabinet modifications which permit operation in harsh environments. To prevent sand and dust infiltration, the electrical control box is sealed. A closed loop design on non-economizer units insures that no outside air is introduced into the shelter. **Note:** Units with an economizer may be ordered with the Desert Duty Package. If the air conditioner is required with the Desert Duty Package, sand intrusion into the shelter should be considered. Units without an economizer will operate from 0°F to 131°F (-17°C to 55°C). Economizer equipped units will operate from -40°F to 131°F (-29°C to 55°C).

➤ **Anti-Microbial Light**

A germicidal UV light destroys toxic bacteria, viruses and mold on the indoor air coil.

➤ **Cold Plasma Air Purification Device**


Installed inside the unit, this device neutralizes odors, kills mold, bacteria and viruses. It also helps to control allergens*, asthma*, smoke and airborne particles.

*These statements are based on customer testimonials and have not been evaluated by the FDA.

➤ **MERV 13 Return Air Filters**

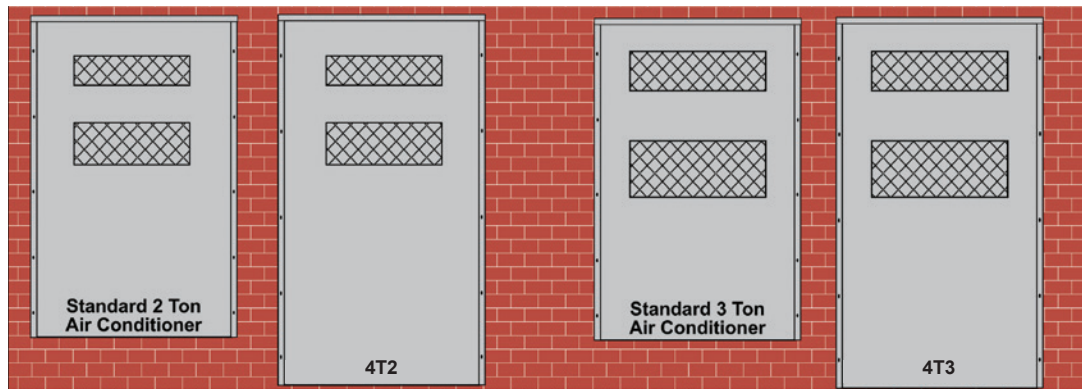
Factory installed two inch (51 cm) MERV 13 filters. Ultra high filtration material that removes most airborne mold, spores and dust. Replaces standard MERV 8 return air filters.

Dry Contacts Alarm Outputs

 A dry contact is provided for each HVAC unit to indicate HVAC unit failure to the shelter alarm block. Unit failure is defined as 1) a high pressure lockout or 2) a low pressure lockout. This dry contact is a normally open contact.

Back Panel Adapters for 5 Ton Air Conditioners

These back panel adapters are factory installed on the non-economizer 4 or 5 ton air conditioners and to match the supply and return air openings on Marvair 2 and 3 ton air conditioners. This allows 4 or 5 ton units to be quickly and easily installed. No cutting or sawing of the shelter is required. The 4T2 back panel has supply and return openings that match the openings of 2 ton wall mounted air conditioners. The 4T3 back panel has supply and return openings that match the openings of Marvair's 3 ton air conditioners. In addition to matching the openings of Marvair units, the back panels will also match the openings of other brands.



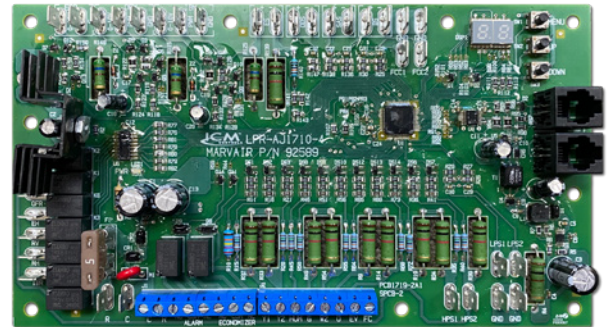
Controls

► Electronic Control Board

The exclusive Printed Circuit Board (PCB) in base model Marvair air conditioners sets the standard for the industry in terms of flexibility, reliability, and performance. This UL certified component is engineered to optimize Heating, Cooling and Dehumidification operation while communicating valuable information to the end user.

Special Features Include:

- Improved HVAC System Reliability (Built In Sequence / Timer Functionality And Simplified Wiring)
- On Board Configuration Menu With Adjustments Of Various Functions and Setpoints
- 2-Stage Compressor Operation
- Independent Indoor Blower Speed Adjustments For 1st Stage Cooling, 2nd Stage Cooling, Electric Heat And Dehumidification (Optimize Latent and Sensible Capacity)
- Built-In Remote Communication (Monitor and Control Via MODBUS Qty. 2 RJ11 Ports)
- Alarm Status and Fault Display(Drastically Reduces Troubleshooting Time and System Downtime)
- Thermocouple Thermistor To Monitor Refrigerant Temperature Of The Low Pressure Circuit and Liquid Line Circuit
- Economizer Control With Adjustments For Both Enthalpy Or Dry Bulb Sensor
- Economizer Status Output Contacts
- Emergency Ventilation Control (Systems Equipped with Ventilation Package)
- Forced Cooling (Overrides Economizer Operation)
- Dehumidification Control (Systems Equipped With Electric Reheat Or Hot Gas Reheat Dehumidification)
- Lockout Contacts (Normally Open Or Normally Closed)
- Alarms Communicated Via MODBUS



► Ambient Temperature Operating Ranges

Basic Model	Special Option	TEMPERATURE RANGES
Non-Economizer	Base Unit/Desert Duty	0°F - 131°F (-18°C - 55°C)
Economizer-Equipped	Base Unit/Desert Duty	-40°F - 131°F (-40°C - 55°C)

► SCFM @ Various External Static Pressures

Model Number	IWG Static Pressure						
	0.10	0.15	0.20	0.25	0.30	0.40	0.50
MAA1018A	685	670	670	642	640	600	
MAA1020A	800	785	770	725	680	600	
MAA1024A	800	785	770	725	680	600	500
MAA1030A	1200	1150	1100	1050	1000	900	800
MAA1036A	1290	1230	1170	1115	1060	1000	920
MAA1042A	1500	1430	1360	1295	1230	1160	1070
MAA1048A	1950	1900	1850	1815	1760	1680	1590
MAA1060A/MGA1072A	1900	1850	1800	1700	1600	1500	1350

Values in bold are the minimum air flow.
 Air flow ratings of 208-230 volt units are at 230v. Air flow ratings of 460 volt units are at 460 volts.
 Operation of units at a voltage different from the rating point will affect air flow.

Model Identification

Example	M	A	A	1	0	3	6	A	D	0	5	0	C	+	+	+	+	1	E	A	+	C	3	1	+	+	+	+	+	+
Position	1	2	3	4	5	6	7	8	9	10	11	12	13	14	15	16	17	18	19	20	21	22	23	24	25	26	27	28	29	30

1	Unit Designation/Family	M = Marvair Wall Mount S = Stock Unit
2	Energy Efficiency Ratio (EER)	A = 11 G = 10
3	Refrigerant Type	A = R-410A
4	Compressor Type/Quantity	1 = Fixed Speed/Single 2 = 2-Stage/Single
5	Unit Capacity/Nominal Cooling (BTUH)	018 = 18,000 042 = 42,000
6		020 = 20,000 048 = 48,000
7		024 = 24,000 060 = 60,000
8		030 = 30,000 072 = 72,000
9	System Type	A = Air Conditioner
9	Power Supply (Volts-Hz-Phase)	A = 208/230-60-1 D = 460-60-3 C = 208/230-60-3 Z = 575-60-3
10	Heat Designation @ Rated Voltage	000 = No Heat 080 = 8KW
11		022 = 2.2KW 090 = 9KW
12		036 = 3.6KW 100 = 10KW
12		040 = 4KW 120 = 12KW 050 = 5KW 150 = 15KW 060 = 6KW
13	Ventilation Configuration	A = Solid Front Door C = Economizer D = Motorized Damper w/Pressure Relief E = Motorized Damper w/Pressure Relief & Independent Motorized Damper Control F = No Free Cooling, 100% Emergency Ventilation Only w/Independent Control H = GreenWheel® ERV N = Barometric Damper w/15% OSA V = Economizer (VZW) + = None \$ = Special
14	Dehumidification	G = Hot Gas Reheat R = Electric Reheat + = None \$ = Special
15	Controls	A = Power Fail Alarm w/Additional Lockouts C = 24V EMS Relay Kit H = Factory Installed PLC + = None \$ = Special
16	Operating Condition	D = Desert Duty F = Desert Duty w/Hard Start G = Desert Duty w/EFS H = Desert Duty w/Hard Start & EFS N = Hard Start P = Hard Start w/Low Ambient & CCH Q = Hard Start w/Low Ambient & Fan Cycle Control (FCC) R = Crank Case Heater (CCH) T = Hard Start w/EFS V = Hard Start w/Low Ambient & CCH & EFS Z = Low Ambient w/CCH & EFS 2 = Low Ambient w/FCC & EFS + = None \$ = Special

17	Indoor Air Quality Features	A = UV Light D = Dry Bulb Sensor E = Dry Bulb Sensor w/Dirty Filter G = Dirty Filter Sensor K = Bi-Polar Ionization M = Dry Bulb Sensor & CO2 Sensor V = Dry Bulb, Dirty Filter & Dust Sensor + = None \$ = Special
18	Air Flow	1 = Top Supply/Center Return (STD) 2 = Center Supply/Top Return 3 = Bottom Supply/Middle Return 6 = 3T3 w/Top Supply/Center Return 7 = 3T5 w/Top Supply/Center Return 9 = 4T3 D = 3T3 Center Supply/Top Return E = 3T5 Center Supply/Top Return \$ = Special
19	Compressor Location	C = Center - All 6 ton units & 5 ton Reverse Flow D = Left Hand - All 3 1/2 to 5 ton units E = Right Hand - All 1 1/2 to 3 ton units
20	Filter Option	A = 2" Pleated (MERV 8, AC/HP-C) D = MERV 11 High Filtration Package E = MERV 13 High Filtration Package F = Filter Access Through Return Air Grille W = Aluminum Washable + = None \$ = Special
21	Corrosion Protection	A = Condenser Coil Only C = Evaporator Coil Only D = Both Coils Condenser & Evaporator E = All Coils Cond/Evap/Reheat F = Coat All G = Coastal Package & Evaporator Coil K = Coastal Package + = None \$ = Special
22	Engineering Revision Level	B2 C2 C3 D3
23		
24	Cabinet Color	1 = Marvair Beige (STD) 2 = Gray (STD) 3 = Carlsbad Canyon (STD) 4 = White (STD) 5 = Stainless Steel Exterior A = Stainless Steel - Unit \$ = Custom Color
25	Sound Attenuation	2 = Compressor Blanket + = None
26	Security Option	A = Lockable Access Plate/Tamper Proof + = None \$ = Special
27	Fastener/Drain Pan Option	A = Stainless Steel Fasteners C = Stainless Steel Drain Pan D = Stainless Steel Fasteners & Drain Pan + = None \$ = Special
28	Unused	+ = None \$ = Special
29	Unused	+ = None \$ = Special
30	Special Variation	+ = None \$ = Special Configuration Not Covered by Model Nomenclature

Note: Not all options are available with all configurations. Contact your Marvair sales representative for configuration details and feature compatibility.

Marvair Single Stage Wall Mount Air Conditioner Performance Data

Certified Efficiency and Capacity Ratings at ANSI/AHRI Standard 390 MAA Air Conditioners with Single Stage Compressor



Model Number	MAA1018A	MAA1020A	MAA1024A				MAA1030A				MAA1036A				MAA1042A				MAA1048A				MAA1060A				MGA1072A			
	A	A	A	C	D	Z	A	C	D	Z	A	C	D	Z	A	C	D	Z	A	C	D	Z	A	C	D	Z	A	C	D	Z
Cooling BTUH¹	17,500	20,000	24,000				29,000				35,000				41,000				45,000				54,600				70,000			
EER²	11.00	11.00	11.00				11.00				11.00				11.50				11.00				11.00				10.00			
Rated Air Flow (CFM³)	660	760	850				1,070				1,200				1,250				1,400				1,750				2,000			

¹Cooling rated at 95°F (35°C) outdoor and 80°F DB/67° WB (26.5°C DB/19.5°C WB) return air ²EER=Energy Efficiency Ratio

³CFM=Cubic Feet per Minute

Ratings are with no outside air. Performance will be affected by altitude.

Ratings are at 230 volts for 208/230 volt units ("A" & "C" models) and 460 volts for "D" models. Operation of units at a different voltage from that of the rating point will affect performance and air flow.

Sensible Total Heat Ratio @ 95°F (35°C) Outside Air Dry Bulb - MAA Air Conditioners with Single Stage Compressor

Model Number	MAA1018A	MAA1020A	MAA1024A				MAA1030A				MAA1036A				MAA1042A				MAA1048A				MAA1060A				MGA1072A			
	A	A	A	C	D	Z	A	C	D	Z	A	C	D	Z	A	C	D	Z	A	C	D	Z	A	C	D	Z	A	C	D	Z
Total Capacity	17,500	20,000	24,000				29,000				35,000				41,000				45,000				54,600				70,000			
Sensible Heat Ratio	0.77	0.78	0.74				0.76				0.71				0.71				0.71				0.71				0.65			
Sensible Capacity	13,500	15,600	17,700				22,000				25,000				29,000				32,100				39,000				45,700			
Rated Air Flow (CFM¹)	660	760	850				1,070				1,200				1,250				1,400				1,750				2,000			

¹CFM=Cubic Feet per Minute

Sensible heat ratios based upon ANSI/AHRI std. 390 outdoor air conditions of 95°F (35°C) and 80°F DB/67° WB (26.5°C DB/19.5°C WB) return air.

Electrical Characteristics - Compressor, Fan & Blower Motors - MAA Air Conditioners with Single Stage Compressor

Basic Model	Compressor				Outdoor Fan Motor				Indoor Blower Motor				Ventilation GreenWheel AMPS		
	Type	Volts-Hz-Ph	RLA ¹	LRA ²	Volts-Hz-PH	RPM ³	FLA ⁴	HP ⁵	Volts-Hz-PH	RPM ³	FLA ⁴	HP ⁵	OAM ⁶	EXM ⁷	WD ⁸
MAA1018AA	Scroll	208/230-60-1	7.7	48.0	208/230-60-1	1200	2.8	1/5	208/230-60-1	725	1.6	1/3			
MAA1020AA		208/230-60-1	10.9	62.9	208/230-60-1	1200	3.5	1/3	208/230-60-1	1200	2.8	1/3			
MAA1024AA		208/230-60-1	12.8	64.0	208/230-60-1	1200	3.5	1/3	208/230-60-1	1200	2.8	1/3	1.0	1.0	0.2
MAA1024AA - B		208/230-60-1	10.8	55.0	208/230-60-1	850	2.2	1/3	208/230-60-1	1200	4.1	1/2	1.0	1.0	0.2
MAA1030AA		208/230-60-1	14.1	72.2	208/230-60-1	850	2.2	1/3	208/230-60-1	1200	4.1	1/2	1.0	1.0	0.2
MAA1030AA - B		208/230-60-1	12.3	63.0	208/230-60-1	850	2.2	1/3	208/230-60-1	1200	4.1	1/2	1.0	1.0	0.2
MAA1036AA		208/230-60-1	16.7	109.0	208/230-60-1	850	2.2	1/3	208/230-60-1	1050	4.1	1/2	1.0	1.0	0.2
MAA1036AA - B		208/230-60-1	14.7	75.0	208/230-60-1	850	2.2	1/3	208/230-60-1	1050	4.1	1/2	1.0	1.0	0.2
MAA1042AA		208/230-60-1	17.0	123.9	208/230-60-1	1200	5.3	1/2	208/230-60-1	1050	4.1	1/2	1.0	1.0	0.2
MAA1048AA		208/230-60-1	19.5	130.0	208/230-60-1	1200	5.3	1/2	208/230-60-1	1050	6.0	3/4	1.0	1.0	0.2
MAA1060AA - Std		208/230-60-1	24.3	144.2	208/230-60-1	1200	5.3	1/2	208/230-60-1	1050	6.0	3/4	1.0	1.0	0.2
MAA1060AA - Rev		208/230-60-1	24.3	144.2	208/230-60-1	825	2.8	1/2	208/230-60-1	1120	4.0	3/4	1.0	1.0	0.2
MGA1072AA		208/230-60-1	30.8	178.0	208/230-60-1	1080	3.3	1/2	208/230-60-1	1050	6.8	3/4	1.0	1.0	0.2
MAA1024AC		Scroll	208/230-60-3	8.3	58.0	208/230-60-1	1200	3.5	1/3	208/230-60-1	1200	2.8	1/3	1.0	1.0
MAA1030AC	208/230-60-3		9.0	71.0	208/230-60-1	850	2.2	1/3	208/230-60-1	1200	4.1	1/2	1.0	1.0	0.2
MAA1036AC	208/230-60-3		11.2	84.0	208/230-60-1	850	2.2	1/3	208/230-60-1	1200	4.1	1/2	1.0	1.0	0.2
MAA1042AC	208/230-60-3		13.6	83.1	208/230-60-1	1200	5.3	1/2	208/230-60-1	1050	4.1	1/2	1.0	1.0	0.2
MAA1048AC	208/230-60-3		13.7	83.1	208/230-60-1	1200	5.3	1/2	208/230-60-1	1050	6.0	3/4	1.0	1.0	0.2
MAA1060AC - Std	208/230-60-3		15.9	110.0	208/230-60-1	1200	5.3	1/2	208/230-60-1	1050	6.0	3/4	1.0	1.0	0.2
MAA1060AC - Rev	208/230-60-3		15.9	110.0	208/230-60-1	825	2.8	1/2	208/230-60-1	1120	4.0	3/4	1.0	1.0	0.2
MGA1072AC	208/230-60-3		22.4	149.0	208/230-60-1	1080	3.3	1/2	208/230-60-1	1050	6.8	3/4	1.0	1.0	0.2
MAA1024AD	Scroll	460-60-3	3.5	28.0	208/230-60-1	1200	3.5	1/3	208/230-60-1	1200	2.8	1/3	1.0	1.0	0.2
MAA1030AD		460-60-3	5.8	38.0	208/230-60-1	850	2.2	1/3	208/230-60-1	1200	4.3	1/2	1.0	1.0	0.2
MAA1036AD		460-60-3	5.6	44.0	208/230-60-1	1200	3.5	1/3	208/230-60-1	1200	4.3	1/2	1.0	1.0	0.2
MAA1042AD		460-60-3	6.1	41.0	208/230-60-1	1200	5.3	1/2	208/230-60-1	1050	4.1	1/2	1.0	1.0	0.2
MAA1048AD		460-60-3	6.2	41.0	208/230-60-1	1200	5.3	1/2	208/230-60-1	1050	6.0	3/4	1.0	1.0	0.2
MAA1060AD - Std		460-60-3	7.7	52.0	208/230-60-1	1200	5.3	1/2	208/230-60-1	1050	6.0	3/4	1.0	1.0	0.2
MAA1060AD - Rev		460-60-3	7.7	52.0	208/230-60-1	825	2.8	1/2	208/230-60-1	1120	4.0	3/4	1.0	1.0	0.2
MGA1072AD		460-60-3	10.6	75.0	208/230-60-1	1080	3.3	1/2	208/230-60-1	1050	6.8	3/4	1.0	1.0	0.2
MAA1024AZ	Scroll	575-60-3	3.3	23.7	208/230-60-1	1200	3.5	1/3	208/230-60-1	1200	2.8	1/3	1.0	1.0	0.2
MAA1030AZ		575-60-3	3.8	36.5	208/230-60-1	850	2.2	1/3	208/230-60-1	1200	4.3	1/2	1.0	1.0	0.2
MAA1036AZ		575-60-3	3.8	34.0	208/230-60-1	850	2.2	1/3	208/230-60-1	1200	4.3	1/2	1.0	1.0	0.2
MAA1042AZ		575-60-3	4.8	33.0	208/230-60-1	1200	5.3	1/2	208/230-60-1	1050	4.1	1/2	1.0	1.0	0.2
MAA1048AZ		575-60-3	4.8	33.0	208/230-60-1	1200	5.3	1/2	208/230-60-1	1050	6.0	3/4	1.0	1.0	0.2
MAA1060AZ - Std		575-60-3	5.7	38.9	208/230-60-1	1200	5.3	1/2	208/230-60-1	1050	6.0	3/4	1.0	1.0	0.2
MAA1060AZ - Rev		575-60-3	5.7	38.9	208/230-60-1	825	2.8	1/2	208/230-60-1	1120	4.0	3/4	1.0	1.0	0.2
MGA1072AZ		575-60-3	7.7	54.0	208/230-60-1	1080	3.3	1/2	208/230-60-1	1050	6.8	3/4	1.0	1.0	0.2

¹RLA = Rated Load Amps ²LRA = Locked Rotor Amps ³RPM = Revolutions per Minute ⁴FLA = Full Load Amps
⁵HP = Horsepower ⁶OAM = Outside Air Mover ⁷EXM = Exhaust Air Mover ⁸WD = Wheel Drive Motor
 The 460 volt units have a step down transformer for the 230 volt motors.

**Summary Electrical Ratings (Wire and Circuit Breaker Sizing) -
 MAA Air Conditioners with Single stage Compressors & Ventilation Configurations:
 C: Economizer, Outside Air with Pressure Relief
 D: Motorized Damper, up to 450 CFM of Outside Air with Pressure Relief
 N: Barometric Damper, up to 15% Outside Air**

Electric Heat		000 = None		022 = 2.2 kW		036 = 3.6 kW		040 = 4 kW		050 = 5 kW		060 = 6 kW		080 = 8 kW		090 = 9 kW		100 = 10 kW		120 = 12 kW		150 = 15 kW		
Basic Model	Volts-Hz-Ph	SPPE ³		SPPE ³		SPPE ³		SPPE ³		SPPE ³		SPPE ³		SPPE ³		SPPE ³		SPPE ³		SPPE ³		SPPE ³		
		MCA ¹	MFS ²	MCA ¹	MFS ²	MCA ¹	MFS ²	MCA ¹	MFS ²	MCA ¹	MFS ²	MCA ¹	MFS ²	MCA ¹	MFS ²	MCA ¹	MFS ²	MCA ¹	MFS ²	MCA ¹	MFS ²	MCA ¹	MFS ²	
MAA1018AA	208/230-60-1	14.0	20	14.0	20	20.4	25																	
MAA1020AA	208/230-60-1	19.9	30					23.6	30	28.8	30	34.1	35	44.5	45			54.9	60					
MAA1024AA	208/230-60-1	22.3	35					23.6	35	28.8	35	34.1	35	44.5	45			54.9	60					
MAA1030AA	208/230-60-1	23.9	35					24.9	35	30.1	35	35.4	40	45.8	50			56.2	60	66.6	70	82.2	90	
MAA1030AA - B	208/230-60-1	21.7	30															56.2	60	66.6	70	82.2	90	
MAA1036AA	208/230-60-1	27.2	40					27.2	40	30.1	40	35.4	40	45.8	50			56.2	60	66.6	70	82.2	90	
MAA1036AA - B	208/230-60-1	24.7	35															56.2	60	66.6	70	82.2	90	
MAA1042AA	208/230-60-1	30.7	45							30.7	45	35.4	45	45.8	50			56.2	60	66.6	70	82.2	90	
MAA1048AA	208/230-60-1	35.7	50							35.7	50	37.3	50	47.7	50			58.1	60	68.5	70	84.1	90	
MAA1060AA - Std	208/230-60-1	41.7	60							41.7	60	41.7	60	47.7	60			58.1	60	68.5	70	84.1	90	
MAA1060AA - Rev	208/230-60-1	37.2	60							37.2	60	37.2	60	45.7	60			56.1	60	66.5	70	82.1	90	
MGA1072AA	208/230-60-1	48.6	70							48.6	70	48.6	70	48.6	70			58.9	70	69.3	70	84.9	90	
MAA1024AC	208/230-60-3	16.7	20									20.8	25			29.9	30			38.9	40			
MAA1030AC	208/230-60-3	17.6	25										22.1	25			31.2	35			40.2	45	49.2	50
MAA1036AC	208/230-60-3	20.3	30										22.1	30			31.2	35			40.2	45	49.2	50
MAA1042AC	208/230-60-3	26.4	35										26.4	35			31.2	35			40.2	45	49.2	50
MAA1048AC	208/230-60-3	28.4	40										28.4	40			33.1	40			42.1	45	51.1	60
MAA1060AC - Std	208/230-60-3	31.2	45										31.2	45			33.1	45			42.1	45	51.1	60
MAA1060AC - Rev	208/230-60-3	26.7	40										26.7	40			31.1	40			40.1	45	49.1	50
MGA1072AC	208/230-60-3	38.1	60										38.1	60			38.1	60			42.9	60	51.9	60
MAA1024AD	460-60-3	7.5	15										10.4	15			14.9	15			19.4	20		
MAA1030AD	460-60-3	10.5	15										11.2	15			15.7	20			20.2	25	24.7	25
MAA1036AD	460-60-3	10.9	15										11.2	15			15.7	20			20.2	25	24.7	25
MAA1042AD	460-60-3	12.3	15										12.3	15			15.6	20			20.1	25	24.6	25
MAA1048AD	460-60-3	13.4	15										13.4	15			16.5	20			21.0	25	25.6	30
MAA1060AD - Std	460-60-3	15.3	20										15.3	20			16.5	20			21.0	25	25.6	30
MAA1060AD - Rev	460-60-3	13.0	20										13.0	20			15.5	20			20.0	20	24.6	25
MGA1072AD	460-60-3	18.3	25										18.3	25			18.3	25			21.4	25	26.0	30
MAA1024AZ	575-60-3	6.6	15										8.7	15			12.4	15			16.2	20		
MAA1030AZ	575-60-3	7.4	15										9.3	15			13.0	15			16.8	20	20.5	25
MAA1036AZ	575-60-3	7.4	15										9.3	15			13.0	15			16.8	20	20.5	25
MAA1042AZ	575-60-3	9.8	15										9.8	15			12.9	15			16.7	20	20.5	25
MAA1048AZ	575-60-3	10.5	15										10.5	15			13.7	15			17.5	20	21.2	25
MAA1060AZ - Std	575-60-3	11.6	15										11.6	15			13.7	15			17.5	20	21.2	25
MAA1060AZ - Rev	575-60-3	9.8	15										9.8	15			12.9	15			16.7	20	20.4	25
MGA1072AZ	575-60-3	13.7	20										13.7	20			14.0	20			17.8	20	21.5	25

¹MCA = Minimum Circuit Ampacity (Wiring Size Amps) ²MFS = Maximum Fuse or HACR Breaker Size ³SPPE = Single Point Power Entry
 MCA & MFS are calculated at 240 volts on the "A" & "C" models. The 480 volts "D" models are calculated at 480 volts. This chart should only be used as a guideline for estimating conductor size and overcurrent protection. For the requirements of specific units, always refer to the data label on the unit.
 Std = Standard Flow
 Rev = Center Supply/Top Return

Summary Electrical Ratings (Wire and Circuit Breaker Sizing) - MAA Air Conditioners with Electric Reheat ("R") with Single stage Compressors and Ventilation Configurations:

C: Economizer, Outside Air with Pressure Relief

D: Motorized Damper, up to 450 CFM of Outside Air with Pressure Relief

N: Barometric Damper, up to 15% Outside Air

Electric Heat		000 = None		022 = 2.2 kW		036 = 3.6 kW		040 = 4 kW		050 = 5 kW		060 = 6 kW		080 = 8 kW		090 = 9 kW		100 = 10 kW		120 = 12 kW		150 = 15 kW		
Basic Model	Volts-Hz-Ph	SPPE ³		SPPE ³		SPPE ³		SPPE ³		SPPE ³		SPPE ³		SPPE ³		SPPE ³		SPPE ³		SPPE ³		SPPE ³		
		MCA ¹	MFS ²	MCA ¹	MFS ²	MCA ¹	MFS ²	MCA ¹	MFS ²	MCA ¹	MFS ²	MCA ¹	MFS ²	MCA ¹	MFS ²	MCA ¹	MFS ²	MCA ¹	MFS ²	MCA ¹	MFS ²	MCA ¹	MFS ²	
MAA1018AA	208/230-60-1	14.0	20	25.5	30	32.8	35																	
MAA1020AA	208/230-60-1	19.9	30					40.8	45	46.0	50	51.2	60	61.6	70			72.0	80					
MAA1024AA	208/230-60-1	22.3	35					43.1	50	48.3	50	53.6	60	64.0	70			74.4	80					
MAA1030AA	208/230-60-1	23.9	35					44.8	50	50.0	50	55.2	60	65.6	70			76.0	80	86.4	90	102.1	110	
MAA1030AA - B	208/230-60-1	21.7	30															73.8	80	84.2	90	99.8	100	
MAA1036AA	208/230-60-1	27.2	40					48.0	60	53.2	60	58.4	60	68.8	70			79.3	80	89.7	90	105.3	110	
MAA1036AA - B	208/230-60-1	24.7	35															76.8	80	87.2	90	102.8	110	
MAA1042AA	208/230-60-1	30.7	45							56.7	60	61.9	70	72.3	80			82.7	90	93.2	100	108.8	110	
MAA1048AA	208/230-60-1	35.7	50							61.7	70	66.9	80	77.3	80			87.8	90	98.2	100	113.8	125	
MAA1060AA - Std	208/230-60-1	41.7	60							67.7	80	72.9	90	83.3	90			93.8	100	104.2	110	119.8	125	
MAA1060AA - Rev	208/230-60-1	37.2	60							63.2	80	68.4	80	78.8	90			89.3	100	99.7	110	115.3	125	
MGA1072AA	208/230-60-1	48.6	70							74.6	100	79.9	100	90.3	110			100.7	110	111.1	125	126.7	150	
MAA1024AC	208/230-60-3	16.7	20									34.7	35			43.7	45			52.8	60			
MAA1030AC	208/230-60-3	17.6	25										35.6	40			44.6	45			53.6	60	62.7	70
MAA1036AC	208/230-60-3	20.3	30										38.3	45			47.4	50			56.4	60	65.4	70
MAA1042AC	208/230-60-3	26.4	35										44.4	50			53.5	60			62.5	70	71.5	80
MAA1048AC	208/230-60-3	28.4	40										46.5	50			55.5	60			64.5	70	73.5	80
MAA1060AC - Std	208/230-60-3	31.2	45										49.2	60			58.2	60			67.3	70	76.3	80
MAA1060AC - Rev	208/230-60-3	26.7	40										44.7	50			53.7	60			62.8	70	71.8	80
MGA1072AC	208/230-60-3	38.1	60										56.1	70			65.2	80			74.2	80	83.2	90
MAA1024AD	460-60-3	7.5	15									16.5	20			21.1	25			25.6	30	30.1	35	
MAA1030AD	460-60-3	10.5	15									19.5	20			24.0	25			28.5	30			
MAA1036AD	460-60-3	10.9	15									19.9	20			24.4	25			28.9	30	33.5	35	
MAA1042AD	460-60-3	12.3	15									21.3	25			25.9	30			30.4	35	34.9	35	
MAA1048AD	460-60-3	13.4	15									22.4	25			26.9	30			31.4	35	36.0	40	
MAA1060AD - Std	460-60-3	15.3	20									24.3	30			28.8	30			33.3	35	37.8	40	
MAA1060AD - Rev	460-60-3	13.0	20									22.0	25			26.6	30			31.1	35	35.6	40	
MGA1072AD	460-60-3	18.3	25									27.3	35			31.8	35			36.3	40	40.9	45	
MAA1024AZ	575-60-3	6.6	15									14.2	15			17.9	20			21.7	25			
MAA1030AZ	575-60-3	7.4	15									14.9	15			18.6	20			22.4	25	26.2	30	
MAA1036AZ	575-60-3	7.4	15									14.9	15			18.6	20			22.4	25	26.2	30	
MAA1042AZ	575-60-3	9.8	15									17.3	20			21.1	25			24.8	25	28.6	30	
MAA1048AZ	575-60-3	10.5	15									18.1	20			21.8	25			25.6	30	29.3	30	
MAA1060AZ - Std	575-60-3	11.6	15									19.2	20			22.9	25			26.7	30	30.5	35	
MAA1060AZ - Rev	575-60-3	9.8	15									17.4	20			21.1	25			24.9	25	28.7	30	
MGA1072AZ	575-60-3	13.7	20									21.2	25			25.0	30			28.7	30	32.5	35	

¹MCA = Minimum Circuit Ampacity (Wiring Size Amps) ²MFS = Maximum Fuse or HACR Breaker Size ³SPPE = Single Point Power Entry
MCA & MFS are calculated at 230 volts on the "A" & "C" models. The 460 volts "D" models are calculated at 460 volts. This chart should only be used as a guideline for estimating conductor size and overcurrent protection. For the requirements of specific units, always refer to the data label on the unit.

Std = Standard Flow
Rev = Center Supply/Top Return

Unit Load Amps -
MAA Air Conditioners with with Single stage Compressors and Ventilation Configurations:
C: Economizer, Outside Air with Pressure Relief
D: Motorized Damper, up to 450 CFM of Outside Air with Pressure Relief
N: Barometric Damper, up to 15% Outside Air

Basic Model	Volts-Hz-Ph	Current Amps		LOAD OF RESISTIVE HEATING - ELEMENTS ONLY (AMPS)											TOTAL MAXIMUM HEATING AMPS										
				(1) ALL HEATING ELEMENTS ARE ON SEPARATE CIRCUITS (2) SHADED VALUES (12 & 15 KW) UTILIZE TWO CIRCUITS											INCLUDES AMPS FROM MOTOR(S) THAT ARE LOCATED ON AN ELECTRICAL CIRCUIT THAT DOES NOT HAVE HEATERS										
				Heating Kilowatts											Heating Kilowatts										
AC ¹	IBM ²	2.2	3.6	4.0	5.0	6.0	8.0	9.0	10	12	15	2.2	3.6	4.0	5.0	6.0	8.0	9.0	10	12	15				
MAA1018AA	208/230-60-1	12.1	1.6	9.2	15.0								10.8	16.6											
MAA1020AA	208/230-60-1	17.2	2.8			16.7	20.8	25.0	33.3		41.7				19.5	23.6	27.8	36.1		44.5					
MAA1024AA	208/230-60-1	19.1	2.8			16.7	20.8	25.0	33.3		41.7				19.5	23.6	27.8	36.1		44.5					
MAA1030AA	208/230-60-1	20.4	4.1			16.7	20.8	25.0	33.3		41.7	50.0	62.5		20.8	24.9	29.1	37.4		45.8	54.1	66.6			
MAA1030AA - B	208/230-60-1	18.6	4.1								41.7	50.0	62.5							45.8	54.1	66.6			
MAA1036AA	208/230-60-1	23.0	4.1			16.7	20.8	25.0	33.3		41.7	50.0	62.5		20.8	24.9	29.1	37.4		45.8	54.1	66.6			
MAA1036AA - B	208/230-60-1	21.0	4.1								41.7	50.0	62.5							45.8	54.1	66.6			
MAA1042AA	208/230-60-1	26.4	4.1				20.8	25.0	33.3		41.7	50.0	62.5			24.9	29.1	37.4		45.8	54.1	66.6			
MAA1048AA	208/230-60-1	30.8	6.0				20.8	25.0	33.3		41.7	50.0	62.5			26.8	31.0	39.3		47.7	56.0	68.5			
MAA1060AA - Std	208/230-60-1	35.6	6.0				20.8	25.0	33.3		41.7	50.0	62.5			26.8	31.0	39.3		47.7	56.0	68.5			
MAA1060AA - Rev	208/230-60-1	31.1	4.0				20.8	25.0	33.3		41.7	50.0	62.5			24.8	29.0	37.3		45.7	54.0	66.5			
MGA1072AA	208/230-60-1	40.9	6.8				20.8	25.0	33.3		41.7	50.0	62.5			27.6	31.8	40.1		48.5	56.8	69.3			
MAA1024AC	208/230-60-3	14.6	2.8					14.4		21.7		28.9					17.2		24.5		31.7				
MAA1030AC	208/230-60-3	15.3	4.1					14.4		21.7		28.9	36.1				18.5		25.8		33.0	40.2			
MAA1036AC	208/230-60-3	17.5	4.1					14.4		21.7		28.9	36.1				18.5		25.8		33.0	40.2			
MAA1042AC	208/230-60-3	23.0	4.1					14.4		21.7		28.9	36.1				18.5		25.8		33.0	40.2			
MAA1048AC	208/230-60-3	25.0	6.0					14.4		21.7		28.9	36.1				20.4		27.7		34.9	42.1			
MAA1060AC - Std	208/230-60-3	27.2	6.0					14.4		21.7		28.9	36.1				20.4		27.7		34.9	42.1			
MAA1060AC - Rev	208/230-60-3	22.7	4.0					14.4		21.7		28.9	36.1				18.4		25.7		32.9	40.1			
MGA1072AC	208/230-60-3	32.5	6.8					14.4		21.7		28.9	36.1				21.2		28.5		35.7	42.9			
MAA1024AD	460-60-3	6.7	1.4					7.2		10.8		14.4					8.6		12.2		15.8				
MAA1030AD	460-60-3	9.1	2.2					7.2		10.8		14.4	18.0				9.4		13.0		16.6	20.2			
MAA1036AD	460-60-3	9.5	2.2					7.2		10.8		14.4	18.0				9.4		13.0		16.6	20.2			
MAA1042AD	460-60-3	10.8	2.1					7.2		10.8		14.4	18.0				9.3		12.9		16.5	20.1			
MAA1048AD	460-60-3	11.9	3.0					7.2		10.8		14.4	18.0				10.2		13.8		17.4	21.0			
MAA1060AD - Std	460-60-3	13.4	3.0					7.2		10.8		14.4	18.0				10.2		13.8		17.4	21.0			
MAA1060AD - Rev	460-60-3	11.1	2.0					7.2		10.8		14.4	18.0				9.2		12.8		16.4	20.0			
MGA1072AD	460-60-3	15.7	3.4					7.2		10.8		14.4	18.0				10.6		14.2		17.8	21.4			
MAA1024AZ	575-60-3	5.8	1.1					6.0		9.0		12.0					7.1		10.2		13.2				
MAA1030AZ	575-60-3	6.4	1.7					6.0		9.0		12.0	15.1				7.7		10.8		13.8	16.8			
MAA1036AZ	575-60-3	6.4	1.7					6.0		9.0		12.0	15.1				7.7		10.8		13.8	16.8			
MAA1042AZ	575-60-3	8.6	1.6					6.0		9.0		12.0	15.1				7.7		10.7		13.7	16.7			
MAA1048AZ	575-60-3	9.3	2.4					6.0		9.0		12.0	15.1				8.4		11.4		14.4	17.5			
MAA1060AZ - Std	575-60-3	10.2	2.4					6.0		9.0		12.0	15.1				8.4		11.4		14.4	17.5			
MAA1060AZ - Rev	575-60-3	8.4	1.6					6.0		9.0		12.0	15.1				7.6		10.6		13.6	16.7			
MGA1072AZ	575-60-3	11.7	2.7					6.0		9.0		12.0	15.1				8.7		11.8		14.8	17.8			

¹AC = Air Conditioner Unit Amps ²IBM = Indoor Blower Motor
 Heating kW is rated at 240 volts on the ACA & ACC models. Derate heater output by 25% for operation at 208 volts. Heating kW is rated at 480 volts on the ACD models. Total heating and cooling amps includes all motors. Three phase models contain single phase motor loads. Loads are not equally balanced on each phase and values shown are maximum phase loads.
Std = Standard Flow
Rev = Center Supply/Top Return

Marvair 2-Stage Wall Mount Air Conditioner Performance Data

Certified Efficiency and Capacity Ratings at ANSI/AHRI Standard 390 MAA Air Conditioners with 2-Stage Compressor



Model Number	MAA2024A	MAA2030A	MAA2036A	MAA2042A	MAA2048A	MAA2060A	MGA2072A
	A,C,D,Z	A,C,D,Z	A,C,D,Z	A,C,D,Z	A,C,D,Z	A,C,D,Z	A,C,D,Z
Cooling BTUH¹	20,600	29,000	33,000	40,000	46,000	54,000	66,000
EER²	11.00	11.00	11.00	11.00	11.00	11.00	10.00
Rated Air Flow (CFM³)	950	1,050	1,180	1,350	1,500	1,800	2,100

¹Cooling rated at 95°F (35°C) outdoor and 80°F DB/67° WB (26.5°C DB/19.5°C WB) return air ²EER=Energy Efficiency Ratio

³CFM=Cubic Feet per Minute

Ratings are with no outside air. Performance will be affected by altitude.

Ratings are at 230 volts for 208/230 volt units ("A" & "C" models) and 460 volts for "D" models. Operation of units at a different voltage from that of the rating point will affect performance and air flow.

Sensible Total Heat Ratio @ 95°F (35°C) Outside Air Dry Bulb - Air Conditioners with 2-Stage Compressor

Model Number	MAA2024A	MAA2030A	MAA2036A	MAA2042A	MAA2048A	MAA2060A	MGA2072A
	A,C,D,Z	A,C,D,Z	A,C,D,Z	A,C,D,Z	A,C,D,Z	A,C,D,Z	A,C,D,Z
Total Capacity	20,600	29,000	33,000	40,000	46,000	54,000	66,000
Sensible Heat Ratio	0.80	0.70	0.70	0.68	0.67	0.67	0.67
Sensible Capacity	16,500	20,300	23,100	27,200	31,000	36,500	42,000
Rated Air Flow (CFM¹)	950	1,050	1,180	1,350	1,500	1,800	2,100

¹CFM=Cubic Feet per Minute

Sensible heat ratios based upon ANSI/AHRI std. 390 outdoor air conditions of 95°F (35°C) and 80°F DB/67° WB (26.5°C DB/19.5°C WB) return air.

Cooling Performance (BTUH) at Various Outdoor Temperatures

MAA Air Conditioners with 2-Stage Compressor

MODEL	Return Air DB/WB °F(°C)	Outdoor Temperature												
		Cooling Capacity BTUH	75°F (24°C)	80°F (26.5°C)	85°F (29°C)	90°F (32°C)	95°F (35°C)	100°F (38°C)	105°F (40.5°C)	110°F (43.3°C)	115°F (46.1°C)	120°F (48.9°C)	125°F (51.7°C)	130°F (54.4°C)
MAA2024A	72/61 (22/16)	Total	21383	20641	19920	19179	18438	17695	16954	16233	15862	14317	13493	12699
		Sensible	16449	16154	15869	15576	15286	14996	14708	14429	14287	13695	13382	12699
	76/63 (24/17)	Total	22227	21465	20682	19920	19158	18396	17634	16851	16480	15038	14214	13390
		Sensible	17941	17648	17349	17059	16770	16483	16197	15905	15767	15038	14214	13390
	80/67 (27/19)	Total	23896	23072	22248	21424	20600	19776	18952	18128	17716	16480	15656	14832
		Sensible	17793	17498	17205	16913	16623	16335	16047	15762	15619	15194	14913	14633
	84/71 (29/22)	Total	25556	24679	23814	22928	22042	21156	20270	19405	18952	17922	17098	16274
		Sensible	17559	17265	16980	16690	16401	16114	15828	15550	15405	15078	14817	14557
MAA2030A	72/61 (22/16)	Total	30102	29058	28043	26999	25955	24911	23867	22852	22330	20155	18995	17835
		Sensible	20810	20379	19962	19536	19112	18692	18274	17869	17663	16807	16356	15907
	76/63 (24/17)	Total	31291	30218	29116	28043	26970	25897	24824	23722	23200	21170	20010	18850
		Sensible	22471	22043	21605	21182	20762	20344	19929	19505	19305	18534	18097	17663
	80/67 (27/19)	Total	33640	32480	30218	30160	29000	27840	26680	25520	24940	23200	22040	20880
		Sensible	22310	21878	23232	21023	20600	20180	19762	19347	19140	18525	18118	17713
	84/71 (29/22)	Total	35989	34742	33524	32277	31030	29783	28536	27318	26680	25230	24070	22910
		Sensible	22030	21599	21182	20757	20335	19916	19500	19097	18886	18411	18033	17657
MAA2036A	72/61 (22/16)	Total	34254	33066	31911	30723	29535	28347	27159	26004	25410	22935	21615	20295
		Sensible	23563	23071	22596	22110	21627	21147	20671	20210	19974	19000	18485	17974
	76/63 (24/17)	Total	35607	34386	33132	31911	30690	29469	28248	26994	26400	24090	22770	21450
		Sensible	25431	24942	24443	23961	23481	23005	22532	22048	21821	20942	20444	19950
	80/67 (27/19)	Total	38280	36960	35640	34320	33000	31680	30360	29040	28380	26400	25080	23760
		Sensible	25250	24757	24268	23782	23300	22820	22344	21871	21635	20934	20470	20009
	84/71 (29/22)	Total	40953	39534	38148	36729	35310	33891	32472	31086	30360	28710	27390	26070
		Sensible	24933	24442	23966	23482	23001	22523	22049	21588	21349	20806	20376	19948
MAA2042A	72/61 (22/16)	Total	41520	40080	38680	37240	35800	34360	32920	31520	30800	27800	26200	24600
		Sensible	27931	27328	26746	26151	25561	24974	24391	23828	23540	22350	21722	21098
	76/63 (24/17)	Total	43160	41680	40160	38680	37200	35720	34240	32720	33200	29200	27600	26000
		Sensible	30073	29474	28863	28272	27686	27103	26524	25933	23392	24581	23974	23370
	80/67 (27/19)	Total	46400	44800	43200	41600	40000	38400	36800	35200	34400	32000	30400	28800
		Sensible	29868	29264	28665	28070	27479	26892	26309	25731	25443	24586	24019	23456
	84/71 (29/22)	Total	49640	47920	46240	44520	42800	41080	39360	37680	36800	34800	33200	31600
		Sensible	29499	28897	28313	27719	27130	26546	25965	25402	25109	24446	23920	23397
MAA2048A	72/61 (22/16)	Total	47748	46092	44482	42826	41170	39514	37858	36248	35420	31970	30130	28290
		Sensible	31358	30660	29987	29299	28615	27937	27263	26612	26279	24904	24178	23458
	76/63 (24/17)	Total	49634	47932	46184	44482	42780	41078	39376	37628	36800	33580	31740	29900
		Sensible	33678	32984	32277	31593	30914	30240	29570	28887	28566	27325	26623	25926
	80/67 (27/19)	Total	53360	51520	49680	47840	46000	44160	42320	40480	39560	36800	34960	33120
		Sensible	33451	32752	32058	31369	30685	30006	29332	28663	28330	27339	26685	26035
	84/71 (29/22)	Total	57086	55108	53176	51198	49220	47242	45264	43332	42320	40020	38180	36340
		Sensible	33036	32339	31662	30975	30293	29617	28945	28294	27955	27189	26581	25977
MAA2060A	72/61 (22/16)	Total	56052	54108	52218	50274	48330	46386	44442	42552	41580	37530	35370	33210
		Sensible	37104	36289	35501	34697	33897	33104	32315	31554	31164	29555	28705	27862
	76/63 (24/17)	Total	58266	56268	54216	52218	50220	48222	46224	44172	43200	39420	37260	35100
		Sensible	39885	39074	38247	37448	36654	35865	35082	34283	33907	32455	31633	30818
	80/67 (27/19)	Total	62640	60480	58320	56160	54000	51840	49680	47520	46440	43200	41040	38880
		Sensible	39611	38794	37983	37178	36378	35585	34796	34014	33624	32465	31699	30938
	84/71 (29/22)	Total	67014	64692	62424	60102	57780	55458	53136	50868	49680	46980	44820	42660
		Sensible	39117	38302	37512	36709	35912	35121	34335	33754	33177	32281	31569	30862
MGA2072A	72/61 (22/16)	Total	68612	66232	63919	61539	59160	56780	54400	52087	50897	45940	43296	40652
		Sensible	49341	48333	47360	46366	45380	44400	43428	42489	42008	40025	38979	37941
	76/63 (24/17)	Total	71322	68876	66364	63919	61473	59027	56582	54070	52880	48263	45609	42965
		Sensible	53446	52443	51422	50434	49454	48481	47514	46529	46065	44275	43263	42259
	80/67 (27/19)	Total	76676	74032	71388	68744	66100	63456	60812	56168	56846	52880	50236	47592
		Sensible	53130	51120	51117	50122	49134	48154	47181	46216	45736	44306	43362	42425
	84/71 (29/22)	Total	82030	79188	76412	73569	70727	67885	65042	62266	60812	57507	54863	52219
		Sensible	52455	51536	50559	49566	48582	47604	46635	45695	45205	44100	43223	42352

Based upon ANSI/AHRI std. 390 return air conditions of 80°F DB/67° WB (26.5°C DB/19.5°C WB) at various outdoor temperatures.

Electrical Characteristics - Compressor, Fan & Blower Motors - MAA Air Conditioners with 2-Stage Compressor

Basic Model	Compressor				Outdoor Fan Motor				Indoor Blower Motor				Ventilation GreenWheel AMPS		
	Type	Volts-Hz-Ph	RLA ¹	LRA ²	Volts-Hz-PH	RPM ³	FLA ⁴	HP ⁵	Volts-Hz-PH	RPM ³	FLA ⁴	HP ⁵	OAM ⁶	EXM ⁷	WD ⁸
MAA2024AA	Scroll	208/230-60-1	11.7	58.3	208/230-60-1	1200	3.5	1/3	208/230-60-1	1200	2.8	1/3	1.0	1.0	0.2
MAA2030AA		208/230-60-1	15.2	83.0	208/230-60-1	850	2.2	1/3	208/230-60-1	1200	4.1	1/2	1.0	1.0	0.2
MAA2036AA		208/230-60-1	15.2	83.0	208/230-60-1	850	2.2	1/3	208/230-60-1	1050	4.1	1/2	1.0	1.0	0.2
MAA2042AA		208/230-60-1	17.9	96.0	208/230-60-1	1200	5.3	1/2	208/230-60-1	1050	4.1	1/2	1.0	1.0	0.2
MAA2048AA		208/230-60-1	21.1	104.0	208/230-60-1	1200	5.3	1/2	208/230-60-1	1050	6.0	3/4	1.0	1.0	0.2
MAA2060AA - Std		208/230-60-1	27.1	153.0	208/230-60-1	1200	5.3	1/2	208/230-60-1	1050	6.0	3/4	1.0	1.0	0.2
MAA2060AA - Rev		208/230-60-1	27.1	153.0	208/230-60-1	825	2.8	1/2	208/230-60-1	1120	4.0	3/4	1.0	1.0	0.2
MGA2072AA		208/230-60-1	29.7	179.2	208/230-60-1	1080	3.3	1/2	208/230-60-1	1050	6.8	3/4	1.0	1.0	0.2
MAA2024AC	Scroll	208/230-60-3	6.5	55.4	208/230-60-1	1200	3.5	1/3	208/230-60-1	1200	2.8	1/3	1.0	1.0	0.2
MAA2030AC		208/230-60-3	11.6	73.0	208/230-60-1	850	2.2	1/3	208/230-60-1	1200	4.1	1/2	1.0	1.0	0.2
MAA2036AC		208/230-60-3	11.6	73.0	208/230-60-1	850	2.2	1/3	208/230-60-1	1200	4.1	1/2	1.0	1.0	0.2
MAA2042AC		208/230-60-3	14.1	88.0	208/230-60-1	1200	5.3	1/2	208/230-60-1	1050	4.1	1/2	1.0	1.0	0.2
MAA2048AC		208/230-60-3	14.0	83.1	208/230-60-1	1200	5.3	1/2	208/230-60-1	1050	6.0	3/4	1.0	1.0	0.2
MAA2060AC - Std		208/230-60-3	16.5	110.0	208/230-60-1	1200	5.3	1/2	208/230-60-1	1050	6.0	3/4	1.0	1.0	0.2
MAA2060AC - Rev		208/230-60-3	16.5	110.0	208/230-60-1	825	2.8	1/2	208/230-60-1	1120	4.0	3/4	1.0	1.0	0.2
MGA2072AC		208/230-60-3	17.6	136.0	208/230-60-1	1080	3.3	1/2	208/230-60-1	1050	6.8	3/4	1.0	1.0	0.2
MAA2024AD	Scroll	460-60-3	3.5	28.0	208/230-60-1	1200	3.5	1/3	208/230-60-1	1200	2.8	1/3	1.0	1.0	0.2
MAA2030AD		460-60-3	5.7	38.0	208/230-60-1	850	2.2	1/3	208/230-60-1	1200	4.3	1/2	1.0	1.0	0.2
MAA2036AD		460-60-3	5.7	38.0	208/230-60-1	1200	3.5	1/3	208/230-60-1	1200	4.3	1/2	1.0	1.0	0.2
MAA2042AD		460-60-3	6.2	44.0	208/230-60-1	1200	5.3	1/2	208/230-60-1	1050	4.1	1/2	1.0	1.0	0.2
MAA2048AD		460-60-3	6.4	41.0	208/230-60-1	1200	5.3	1/2	208/230-60-1	1050	6.0	3/4	1.0	1.0	0.2
MAA2060AD - Std		460-60-3	7.2	52.0	208/230-60-1	1200	5.3	1/2	208/230-60-1	1050	6.0	3/4	1.0	1.0	0.2
MAA2060AD - Rev		460-60-3	7.2	52.0	208/230-60-1	825	2.8	1/2	208/230-60-1	1120	4.0	3/4	1.0	1.0	0.2
MGA2072AD		460-60-3	8.5	66.1	208/230-60-1	1080	3.3	1/2	208/230-60-1	1050	6.8	3/4	1.0	1.0	0.2
MAA2030AZ	Scroll	575-60-3	4.0	25.6	208/230-60-1	850	2.2	1/3	208/230-60-1	1200	4.3	1/2	1.0	1.0	0.2
MAA2036AZ		575-60-3	4.0	25.6	208/230-60-1	850	2.2	1/3	208/230-60-1	1200	4.3	1/2	1.0	1.0	0.2
MAA2042AZ		575-60-3	5.1	30.0	208/230-60-1	1200	5.3	1/2	208/230-60-1	1050	4.1	1/2	1.0	1.0	0.2
MAA2048AZ		575-60-3	4.6	33.0	208/230-60-1	1200	5.3	1/2	208/230-60-1	1050	6.0	3/4	1.0	1.0	0.2
MAA2060AZ - Std		575-60-3	5.7	43.8	208/230-60-1	1200	5.3	1/2	208/230-60-1	1050	6.0	3/4	1.0	1.0	0.2
MAA2060AZ - Rev		575-60-3	5.7	43.8	208/230-60-1	825	2.8	1/2	208/230-60-1	1120	4.0	3/4	1.0	1.0	0.2
MGA2072AZ		575-60-3	6.3	55.3	208/230-60-1	1080	3.3	1/2	208/230-60-1	1050	6.8	3/4	1.0	1.0	0.2

¹RLA = Rated Load Amps

²LRA = Locked Rotor Amps

³RPM = Revolutions per Minute

⁴FLA = Full Load Amps

⁵HP = Horsepower

⁶OAM = Outside Air Mover

⁷EXM = Exhaust Air Mover

⁸WD = Wheel Drive Motor

The 460 volt units have a step down transformer for the 230 volt motors.

**Summary Electrical Ratings (Wire and Circuit Breaker Sizing) -
 MAA Air Conditioners with 2-Stage Compressors & Ventilation Configurations:
 C: Economizer, Outside Air with Pressure Relief
 D: Motorized Damper, up to 450 CFM of Outside Air with Pressure Relief
 N: Barometric Damper, up to 15% Outside Air**

ELECTRIC HEAT		000 = None		040 = 4 kw		050 = 5 kw		060 = 6 kw		080 = 8 kw		090 = 9 kw		100 = 10 kw		120 = 12 kw		150 =15 kw	
BASIC MODEL	VOLTS-HZ-PH	SPPE ³		SPPE ³		SPPE ³		SPPE ³		SPPE ³		SPPE ³		SPPE ³		SPPE ³		SPPE ³	
		MCA ¹	MFS ²	MCA ¹	MFS ²	MCA ¹	MFS ²	MCA ¹	MFS ²	MCA ¹	MFS ²	MCA ¹	MFS ²	MCA ¹	MFS ²	MCA ¹	MFS ²	MCA ¹	MFS ²
MAA2024AA	208/230-60-1	20.9	30	23.6	30	28.8	30	34.1	35	44.5	45	49.7	50	54.9	60				
MAA2030AA	208/230-60-1	25.3	40	25.3	40	30.1	40	35.4	40	45.8	50			56.2	60	66.6	70	82.2	90
MAA2036AA	208/230-60-1	25.3	40	25.3	40	30.1	40	35.4	40	45.8	50			56.2	60	66.6	70	82.2	90
MAA2042AA	208/230-60-1	31.8	45	31.8	45	31.8	45	35.4	45	45.8	50			56.2	60	66.6	70	82.2	90
MAA2048AA	208/230-60-1	37.7	50	37.7	50	37.7	50	37.7	50	47.7	50			58.1	60	68.5	70	84.1	90
MAA2060AA - Standard	208/230-60-1	45.2	70	45.2	70	45.2	70	45.2	70	47.7	70			58.1	70	68.5	70	84.1	90
MAA2060AA - Reverse	208/230-60-1	40.7	60	40.7	60	40.7	60	40.7	60	45.7	60	50.9	60	56.1	60	66.5	70	82.1	90
MGA2072AA	208/230-60-1	47.2	70			47.2	70	47.2	70			53.7	70			69.3	70	84.9	90
MAA2024AC	208/230-60-3	14.4	20					20.8	25			29.9	30			38.9	40	47.9	50
MAA2030AC	208/230-60-3	20.8	30					22.1	30			31.2	35			40.2	45	49.2	50
MAA2036AC	208/230-60-3	20.8	30					22.1	30			31.2	35			40.2	45	49.2	50
MAA2042AC	208/230-60-3	27.0	40					27.0	40			31.2	40			40.2	45	49.2	50
MAA2048AC	208/230-60-3	28.8	40					28.8	40			33.1	40			42.1	45	51.1	60
MAA2060AC - Standard	208/230-60-3	31.9	45					31.9	45			33.1	45			42.1	45	51.1	60
MAA2060AC - Reverse	208/230-60-3	27.4	40					27.4	40			31.1	40			40.1	45	49.1	50
MGA2072AC	208/230-60-3	32.1	45					32.1	45			33.9	45			42.9	45	51.9	60
MAA2024AD	460-60-3	7.5	15					10.4	15			14.9	15			19.4	20	24.0	25
MAA2030AD	460-60-3	10.4	15					11.2	15			15.7	20			20.2	25	24.7	25
MAA2036AD	460-60-3	11.0	15					11.2	15			15.7	20			20.2	25	24.7	25
MAA2042AD	460-60-3	12.5	15					12.5	15			15.6	20			20.1	25	24.6	25
MAA2048AD	460-60-3	13.7	20					13.7	20			16.5	20			21.0	25	25.6	30
MAA2060AD - Standard	460-60-3	14.7	20					14.7	20			16.5	20			21.0	25	25.6	30
MAA2060AD - Reverse	460-60-3	12.4	15					12.4	15			15.5	20			20.0	20	24.6	25
MGA2072AD	460-60-3	15.7	20					15.7	20			16.9	20			21.4	25	26.0	30
MAA2030AZ	575-60-3	7.6	15					9.3	15			13.0	15			16.8	20	20.5	25
MAA2036AZ	575-60-3	7.6	15					9.3	15			13.0	15			16.8	20	20.5	25
MAA2042AZ	575-60-3	10.1	15					10.1	15			12.9	15			16.7	20	20.5	25
MAA2048AZ	575-60-3	10.3	15					10.3	15			13.7	15			17.5	20	21.2	25
MAA2060AZ - Standard	575-60-3	11.6	15					11.6	15			13.7	15			17.5	20	21.2	25
MAA2060AZ - Reverse	575-60-3	9.8	15					9.8	15			12.9	15			16.7	20	20.4	25
MGA2072AZ	575-60-3	11.9	15					11.9	15			14.0	15			17.8	20	21.5	25

¹MCA = Minimum Circuit Ampacity (Wiring Size Amps) ²MFS = Maximum Fuse or HACR Breaker Size ³SPPE = Single Point Power Entry
 MCA & MFS are calculated at 240 volts on the "A" & "C" models. The 480 volts "D" models are calculated at 480 volts. This chart should only be used as a guideline for estimating conductor size and overcurrent protection. For the requirements of specific units, always refer to the data label on the unit.

Summary Electrical Ratings (Wire and Circuit Breaker Sizing) - MAA Air Conditioners with Electric Reheat ("R") with 2-Stage Compressors and Ventilation Configurations:

C: Economizer, Outside Air with Pressure Relief

D: Motorized Damper, up to 450 CFM of Outside Air with Pressure Relief

N: Barometric Damper, up to 15% Outside Air

ELECTRIC HEAT		000 = None		040 = 4 kw		050 = 5 kw		060 = 6 kw		080 = 8 kw		090 = 9 kw		100 = 10 kw		120 = 12 kw		150 = 15 kw	
BASIC MODEL	VOLTS-HZ-PH	SPPE ³		SPPE ³		SPPE ³		SPPE ³		SPPE ³		SPPE ³		SPPE ³		SPPE ³		SPPE ³	
		MCA ¹	MFS ²	MCA ¹	MFS ²	MCA ¹	MFS ²	MCA ¹	MFS ²	MCA ¹	MFS ²	MCA ¹	MFS ²	MCA ¹	MFS ²	MCA ¹	MFS ²	MCA ¹	MFS ²
MAA2024AA	208/230-60-1	20.9	30	41.8	45	47.0	50	52.2	60	62.6	70	67.8	70	73.0	80				
MAA2030AA	208/230-60-1	25.3	40	46.1	50	51.3	60	56.6	60	67.0	70			77.4	80	87.8	90	103.4	110
MAA2036AA	208/230-60-1	25.3	40	46.1	50	51.3	60	56.6	60	67.0	70			77.4	80	87.8	90	103.4	110
MAA2042AA	208/230-60-1	31.8	45	52.6	60	57.8	70	63.0	70	73.4	80			83.9	90	94.3	100	109.9	110
MAA2048AA	208/230-60-1	37.7	50	58.5	70	63.7	70	68.9	80	79.3	90			89.8	100	100.2	110	115.8	125
MAA2060AA - Standard	208/230-60-1	45.2	70	66.0	80	71.2	90	76.4	90	86.8	100			97.3	110	107.7	110	123.3	125
MAA2060AA - Reverse	208/230-60-1	40.7	60	61.5	80	66.7	80	71.9	90	82.3	100	87.6	100	92.8	100	103.2	110	118.8	125
MGA2072AA	208/230-60-1	47.2	70			73.3	90	78.5	100			94.1	110			109.7	125	125.4	150
MAA2024AC	208/230-60-3	14.4	20					32.5	35			41.5	45			50.5	60	59.5	60
MAA2030AC	208/230-60-3	20.8	30					38.8	45			47.9	50			56.9	60	65.9	70
MAA2036AC	208/230-60-3	20.8	30					38.8	45			47.9	50			56.9	60	65.9	70
MAA2042AC	208/230-60-3	27.0	40					45.1	50			54.1	60			63.1	70	72.1	80
MAA2048AC	208/230-60-3	28.8	40					46.8	50			55.9	60			64.9	70	73.9	80
MAA2060AC - Standard	208/230-60-3	31.9	45					50.0	60			59.0	70			68.0	70	77.0	80
MAA2060AC - Reverse	208/230-60-3	27.4	40					45.5	50			54.5	60			63.5	70	72.5	80
MGA2072AC	208/230-60-3	32.1	45					50.1	60			59.2	70			68.2	70	77.2	80
MAA2024AD	460-60-3	7.5	15					16.5	20			21.1	25			25.6	30	30.1	35
MAA2030AD	460-60-3	10.4	15					19.4	20			23.9	25			28.4	30	32.9	35
MAA2036AD	460-60-3	11.0	15					20.0	20			24.6	25			29.1	30	33.6	35
MAA2042AD	460-60-3	12.5	15					21.5	25			26.0	30			30.5	35	35.0	35
MAA2048AD	460-60-3	13.7	20					22.7	25			27.2	30			31.7	35	36.2	40
MAA2060AD - Standard	460-60-3	14.7	20					23.7	25			28.2	30			32.7	35	37.2	40
MAA2060AD - Reverse	460-60-3	12.4	15					21.4	25			25.9	30			30.4	35	35.0	35
MGA2072AD	460-60-3	15.7	20					24.7	30			29.2	35			33.7	35	38.2	40
MAA2030AZ	575-60-3	7.6	15					15.1	20			18.9	20			22.7	25	26.4	30
MAA2036AZ	575-60-3	7.6	15					15.1	20			18.9	20			22.7	25	26.4	30
MAA2042AZ	575-60-3	10.1	15					17.7	20			21.4	25			25.2	30	29.0	30
MAA2048AZ	575-60-3	10.3	15					17.8	20			21.6	25			25.3	30	29.1	30
MAA2060AZ - Standard	575-60-3	11.6	15					19.2	20			22.9	25			26.7	30	30.5	35
MAA2060AZ - Reverse	575-60-3	9.8	15					17.4	20			21.1	25			24.9	25	28.7	30
MGA2072AZ	575-60-3	11.9	15					19.4	20			23.2	25			27.0	30	30.7	35

¹MCA = Minimum Circuit Ampacity (Wiring Size Amps) ²MFS = Maximum Fuse or HACR Breaker Size ³SPPE = Single Point Power Entry
MCA & MFS are calculated at 230 volts on the "A" & "C" models. The 460 volts "D" models are calculated at 460 volts. This chart should only be used as a guideline for estimating conductor size and overcurrent protection. For the requirements of specific units, always refer to the data label on the unit.

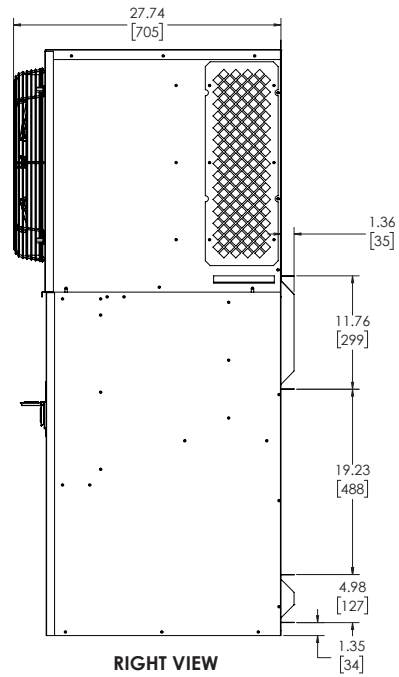
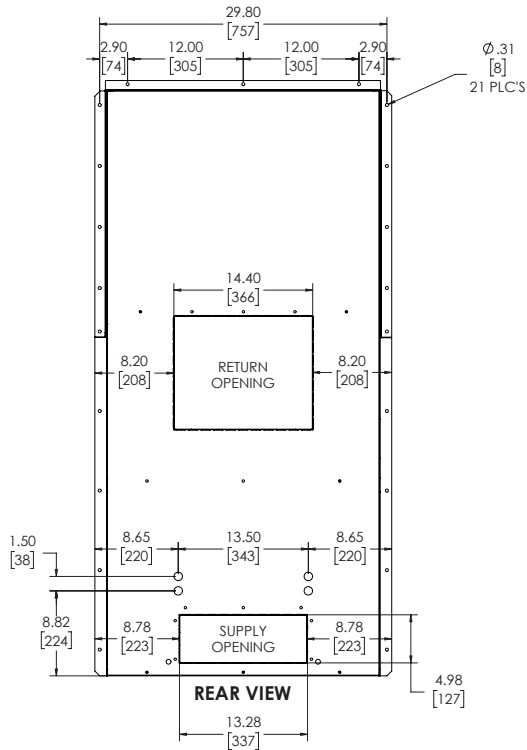
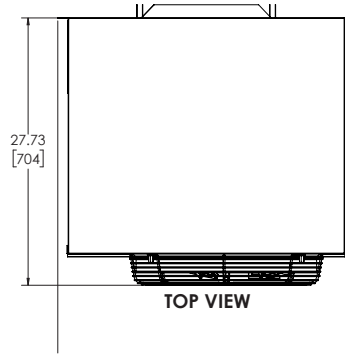
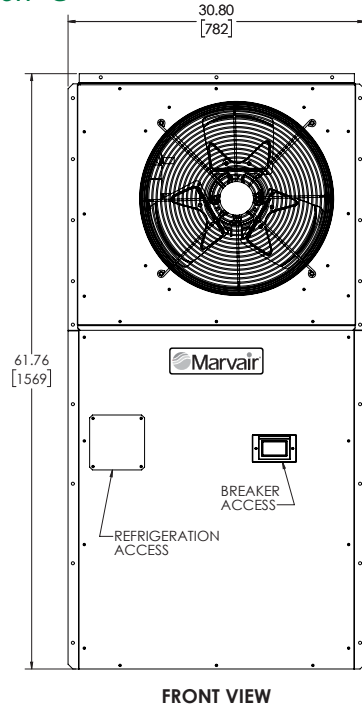
Unit Load Amps -
MAA Air Conditioners with with 2-Stage Compressors and Ventilation Configurations:
C: Economizer, Outside Air with Pressure Relief
D: Motorized Damper, up to 450 CFM of Outside Air with Pressure Relief
N: Barometric Damper, up to 15% Outside Air

BASIC MODEL NUMBER	VOLTS-HZ-PH	CURRENT AMPS		LOAD OF RESISTIVE HEATING - ELEMENTS ONLY (AMPS) <small>(1) ALL HEATING ELEMENTS ARE ON A SEPARATE CIRCUIT (2) SHADED VALUES (12 & 15 kW) UTILIZE TWO CIRCUITS</small>								TOTAL MAXIMUM HEATING AMPS <small>INCLUDES AMPS FROM MOTOR(S) THAT ARE LOCATED ON AN ELECTRICAL CIRCUIT THAT DOES NOT HAVE HEATERS</small>							
				Heating Kilowatts								Heating Kilowatts							
				AC ¹	IBM ²	04	05	06	08	09	10	12	15	04	05	06	08	09	10
MAA2024AA	208/230-60-1	18.0	2.8	16.7	20.8	25.0	33.3	37.5	41.7			19.5	23.6	27.8	36.1	40.3	44.5		
MAA2030AA	208/230-60-1	21.5	4.1	16.7	20.8	25.0	33.3		41.7	50.0	62.5	20.8	24.9	29.1	37.4		45.8	54.1	66.6
MAA2036AA	208/230-60-1	21.5	4.1	16.7	20.8	25.0	33.3		41.7	50.0	62.5	20.8	24.9	29.1	37.4		45.8	54.1	66.6
MAA2042AA	208/230-60-1	27.3	4.1	16.7	20.8	25.0	33.3		41.7	50.0	62.5	20.8	24.9	29.1	37.4		45.8	54.1	66.6
MAA2048AA	208/230-60-1	32.4	6	16.7	20.8	25.0	33.3		41.7	50.0	62.5	22.7	26.8	31.0	39.3		47.7	56.0	68.5
MAA2060AA - Std	208/230-60-1	38.4	6	16.7	20.8	25.0	33.3		41.7	50.0	62.5	22.7	26.8	31.0	39.3		47.7	56.0	68.5
MAA2060AA - Rev	208/230-60-1	33.9	4	16.7	20.8	25.0	33.3	37.5	41.7	50.0	62.5	20.7	24.8	29.0	37.3	41.5	45.7	54.0	66.5
MGA2072AA	208/230-60-1	39.8	6.8		20.8	25.0		37.5		50.0	62.5		27.6	31.8		44.3		56.8	69.3
MAA2024AC	208/230-60-3	12.8	2.8			14.4		21.7		28.9	36.1			17.2		24.5		31.7	38.9
MAA2030AC	208/230-60-3	17.9	4.1			14.4		21.7		28.9	36.1			18.5		25.8		33.0	40.2
MAA2036AC	208/230-60-3	17.9	4.1			14.4		21.7		28.9	36.1			18.5		25.8		33.0	40.2
MAA2042AC	208/230-60-3	23.5	4.1			14.4		21.7		28.9	36.1			18.5		25.8		33.0	40.2
MAA2048AC	208/230-60-3	25.3	6			14.4		21.7		28.9	36.1			20.4		27.7		34.9	42.1
MAA2060AC - Std	208/230-60-3	27.8	6			14.4		21.7		28.9	36.1			20.4		27.7		34.9	42.1
MAA2060AC - Rev	208/230-60-3	23.3	4			14.4		21.7		28.9	36.1			18.4		25.7		32.9	40.1
MGA2072AC	208/230-60-3	27.7	6.8			14.4		21.7		28.9	36.1			21.2		28.5		35.7	42.9
MAA2024AD	460-60-3	6.7	1.4			7.2		10.8		14.4	18.0			8.6		12.2		15.8	19.4
MAA2030AD	460-60-3	9.0	2.2			7.2		10.8		14.4	18.0			9.4		13.0		16.6	20.2
MAA2036AD	460-60-3	9.6	2.2			7.2		10.8		14.4	18.0			9.4		13.0		16.6	20.2
MAA2042AD	460-60-3	10.9	2.1			7.2		10.8		14.4	18.0			9.3		12.9		16.5	20.1
MAA2048AD	460-60-3	12.1	3			7.2		10.8		14.4	18.0			10.2		13.8		17.4	21.0
MAA2060AD - Std	460-60-3	12.9	3			7.2		10.8		14.4	18.0			10.2		13.8		17.4	21.0
MAA2060AD - Rev	460-60-3	10.6	2			7.2		10.8		14.4	18.0			9.2		12.8		16.4	20.0
MGA2072AD	460-60-3	13.6	3.4			7.2		10.8		14.4	18.0			10.6		14.2		17.8	21.4
MAA2030AZ	575-60-3	6.6	1.7			6.0		9.0		12.0	15.1			7.7		10.8		13.8	16.8
MAA2036AZ	575-60-3	6.6	1.7			6.0		9.0		12.0	15.1			7.7		10.8		13.8	16.8
MAA2042AZ	575-60-3	8.9	1.6			6.0		9.0		12.0	15.1			7.7		10.7		13.7	16.7
MAA2048AZ	575-60-3	9.1	2.4			6.0		9.0		12.0	15.1			8.4		11.4		14.4	17.5
MAA2060AZ - Std	575-60-3	10.2	2.4			6.0		9.0		12.0	15.1			8.4		11.4		14.4	17.5
MAA2060AZ - Rev	575-60-3	8.4	1.6			6.0		9.0		12.0	15.1			7.6		10.6		13.6	16.7
MGA2072AZ	575-60-3	10.3	2.7			6.0		9.0		12.0	15.1			8.7		11.8		14.8	17.8

¹AC = Air Conditioner Unit Amps ²IBM = Indoor Blower Motor
 Heating kW is rated at 240 volts on the ACA & ACC models. Derate heater output by 25% for operation at 208 volts. Heating kW is rated at 480 volts on the ACD models. Total heating and cooling amps includes all motors. Three phase models contain single phase motor loads. Loads are not equally balanced on each phase and values shown are maximum phase loads.

Dimensional Data - MAA1018A

Engineering Revision "C"



Installation Weight

MAA1018A	Base
Pounds	265
Kilograms	120

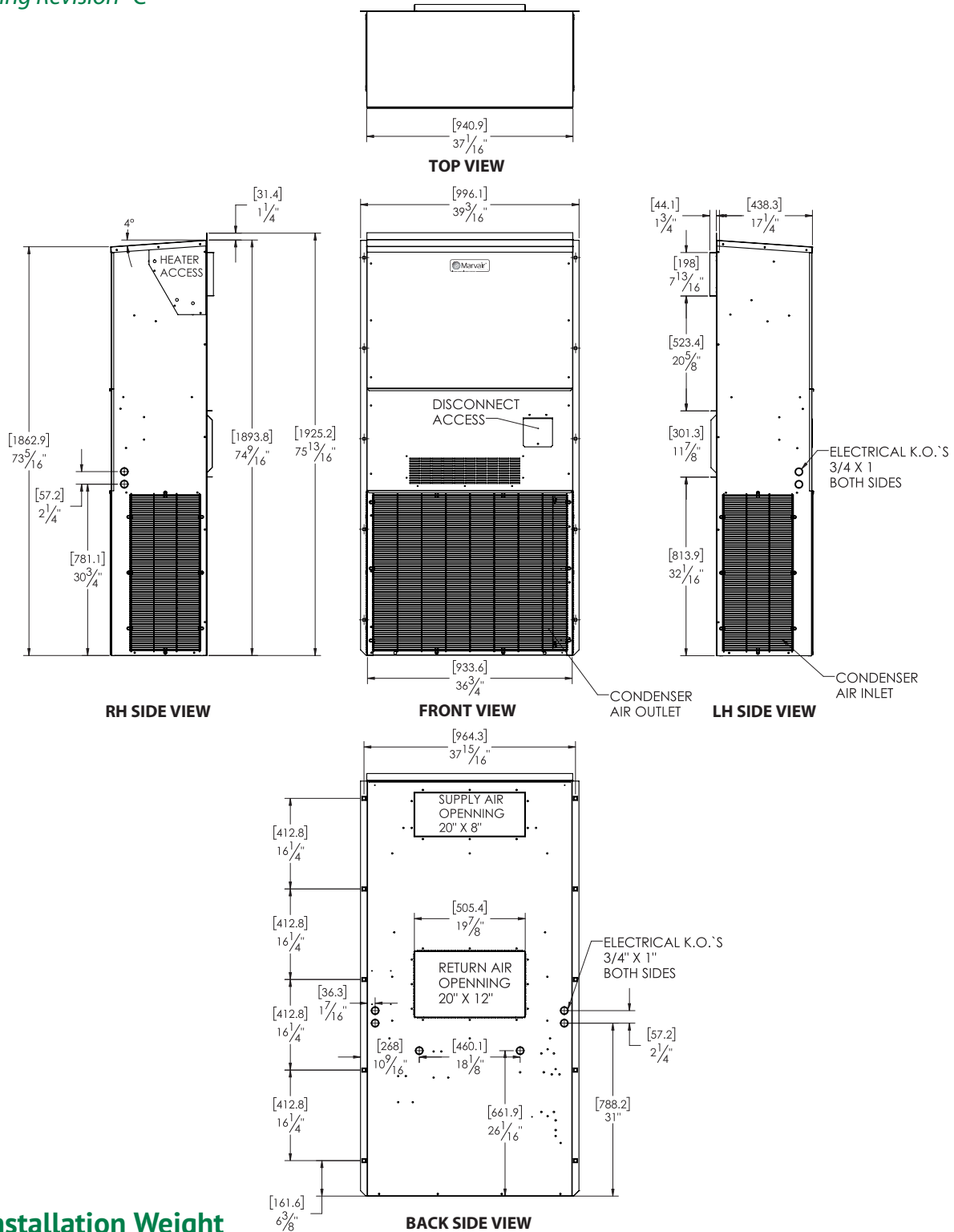
Filter Size

MAA1018A	INCHES	MILLIMETERS	PART NUMBER	FILTERS PER UNIT	MERV RATING
RETURN AIR FILTER	14 x 12 x 1	356 x 305 x 25	P/80122	1	N/A

Note: All overall outside dimensions are given with +/- .250" (6mm) tolerance.

Dimensional Data - MAA1020A, MAA1024A & MAA2024A

Engineering Revision "C"



Installation Weight

MAA1020A & MAA1024A	Base	w/Economizer	w/3 Phase	w/Economizer & 3 Phase
Pounds	337	357	356	376
Kilograms	153	162	161	171

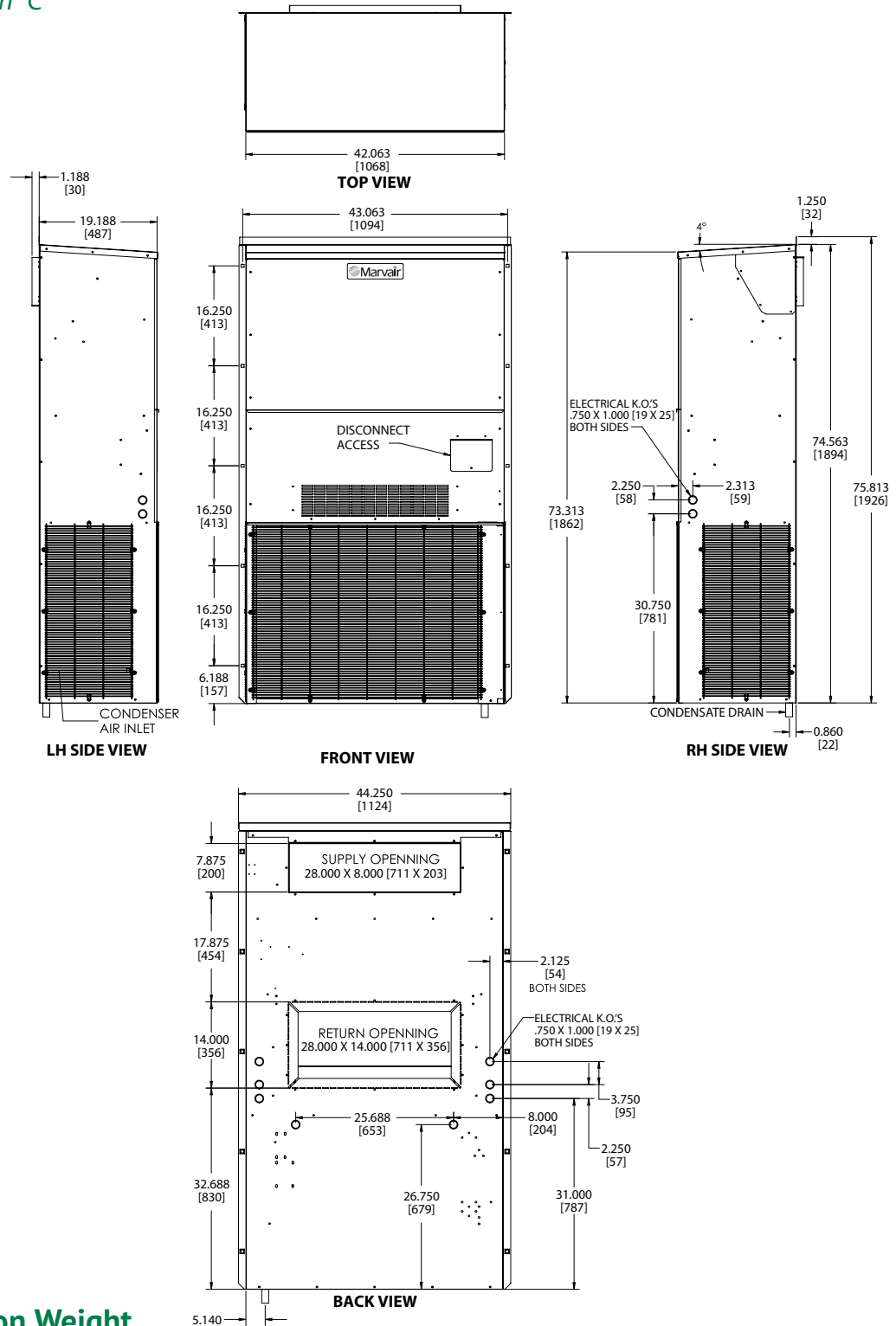
Filter Size

MAA1020A & MAA1024A	INCHES	MILLIMETERS	PART NUMBER	FILTERS PER UNIT	MERV RATING
RETURN AIR FILTER	16 x 25 x 2	406 x 635 x 51	80137	1	8 (STD)

Note: All overall outside dimensions are given with +/- .250" (6mm) tolerance.

Dimensional Data - MAA1030A, MAA1036A & MAA2030A, MAA2036A

Engineering Revision "C"



Installation Weight

MAA1030A & MAA1036A	Base	w/Economizer	w/3 Phase	w/Economizer & 3 Phase
Pounds	397	419	416	438
Kilograms	180	190	189	199

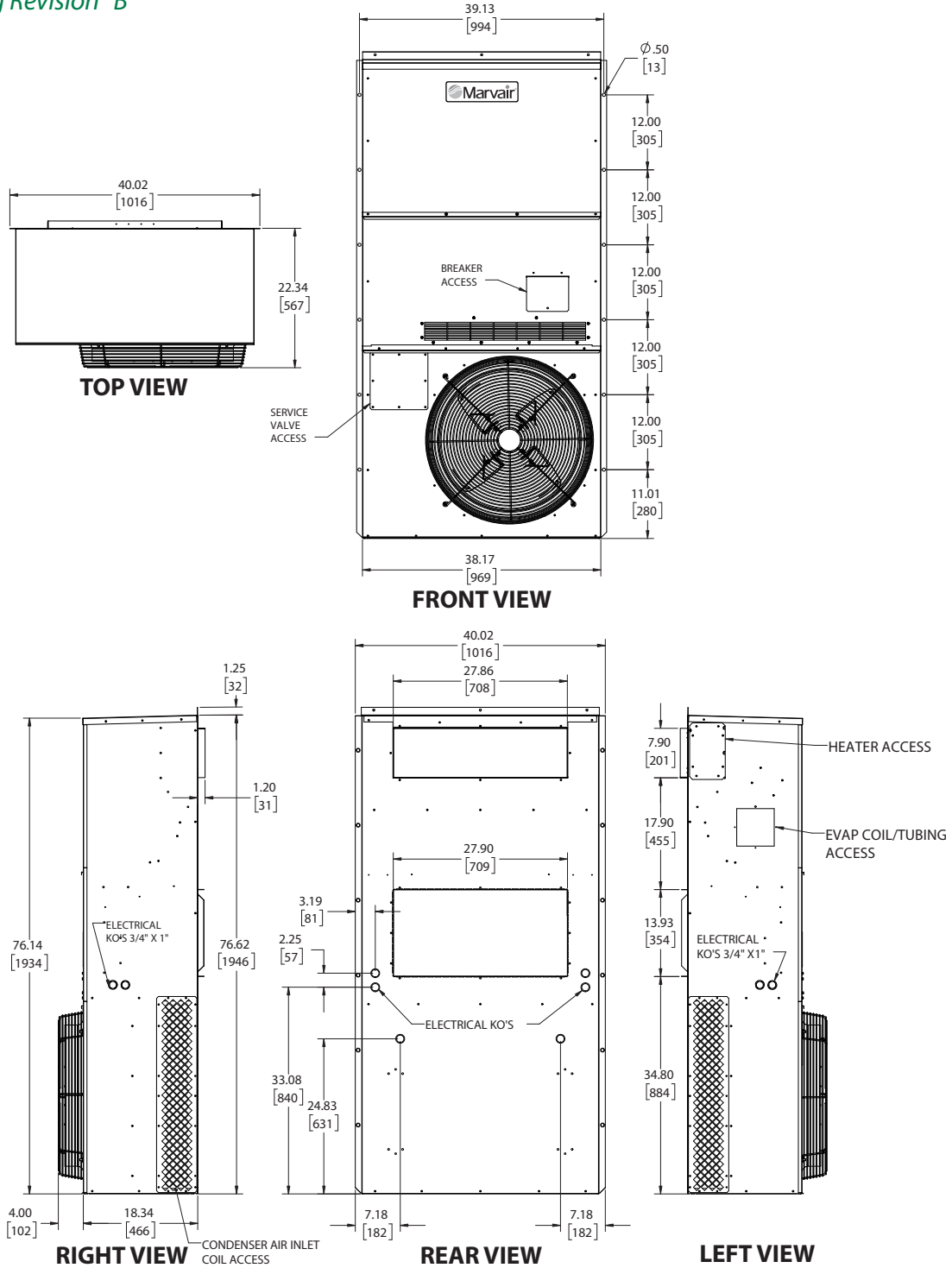
Filter Size

MAA1030A & MAA1036A	INCHES	MILLIMETERS	PART NUMBER	FILTERS PER UNIT	MERV RATING
RETURN AIR FILTER	18 x 30 x 2	457 x 762 x 51	93184	1	8 (STD)

Note: All overall outside dimensions are given with +/- .250" (6mm) tolerance.

Dimensional Data - MAA1030A, MAA1036A

Engineering Revision "B"



Installation Weight

MAA1030A "B", MAA1036A "B"	Base	w/Economizer	w/3 Phase	w/Economizer & 3 Phase
Pounds	380	403	418	441
Kilograms	172	183	190	200

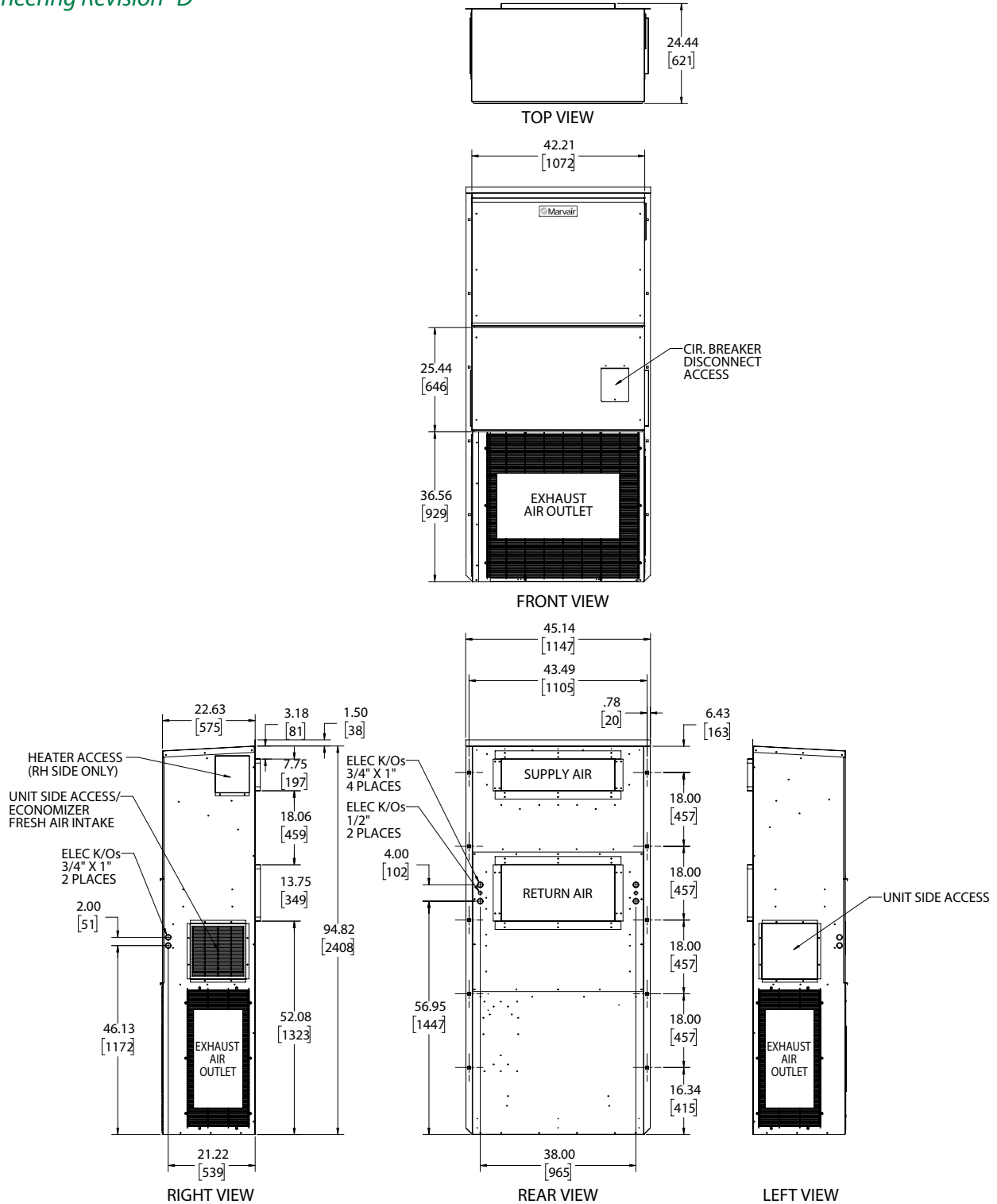
Filter Size

MAA1030A "B", MAA1036A "B"	INCHES	MILLIMETERS	PART NUMBER	FILTERS PER UNIT	MERV RATING
INTERNAL¹	16 x 30 x 1	406 x 762 x 25	80136	1	N/A
RETURN GRILLE²	27½ x 13½ x 1	699 x 343 x 25	80769	1	N/A

¹Optional; Return grille filter is recommended. ²Recommended **Note:** All overall outside dimensions are given with +/- .250" (6mm) tolerance.

Dimensional Data - MAA1036A & MAA2036A - 3T3

Engineering Revision "D"



Installation Weight

MAA1036A & MAA2036A 3T3	Base	w/Economizer	w/3 Phase	w/Economizer & 3 Phase
Pounds	535	558	588	611
Kilograms	243	253	267	277

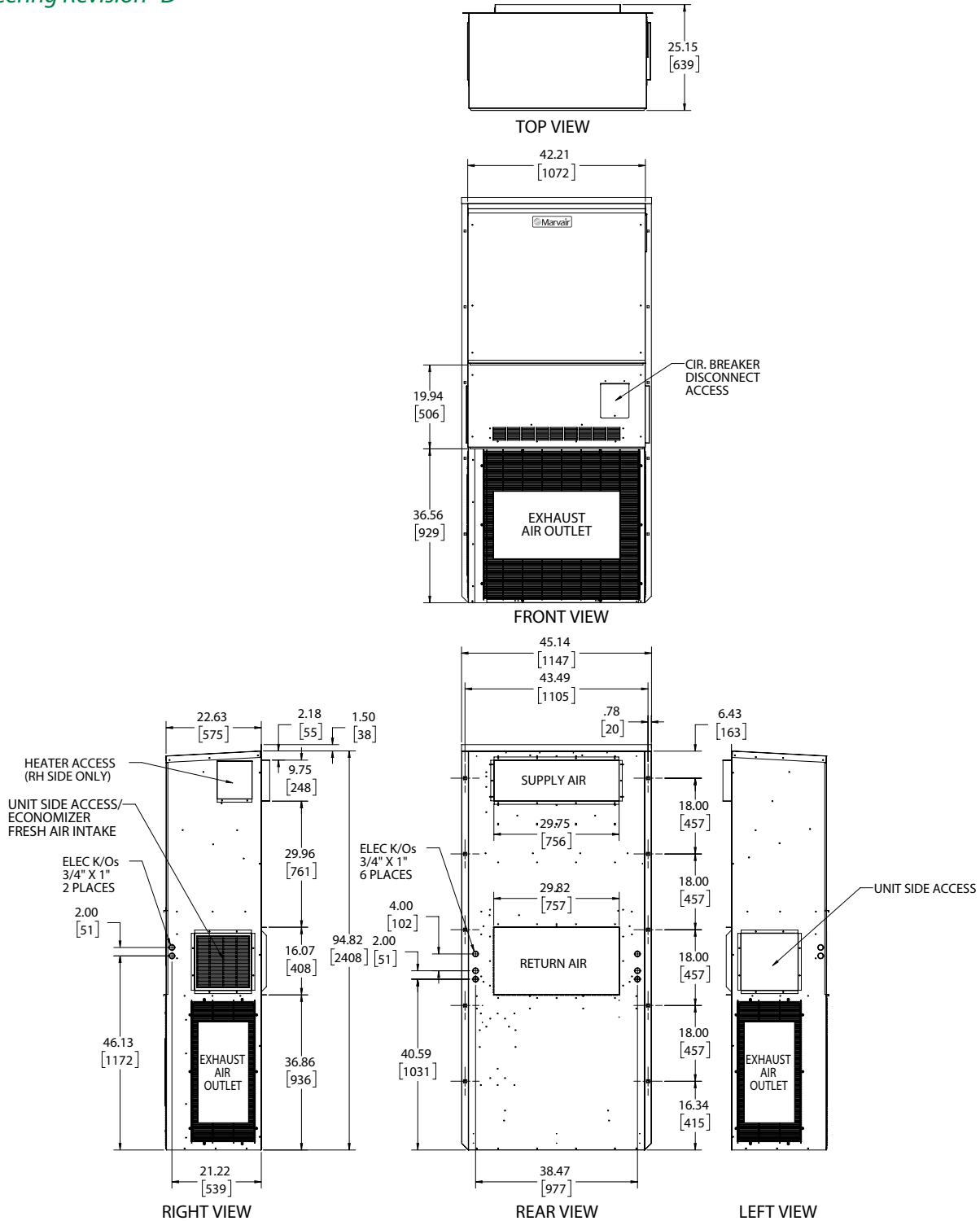
Filter Size

MAA1036A & MAA2036A 3T3	INCHES	MILLIMETERS	PART NUMBER	FILTERS PER UNIT	MERV RATING
RETURN AIR FILTER	15½ x 36½ x 2	394 x 927 x 51	92985	1	8

Note: All overall outside dimensions are given with +/- .250" (6mm) tolerance.

Dimensional Data - MAA1036A & MAA2036A - 3T5

Engineering Revision "D"



Installation Weight

MAA1036A & MAA2036A	Base	w/Economizer	w/3 Phase	w/Economizer & 3 Phase
Pounds	535	558	588	611
Kilograms	243	253	267	277

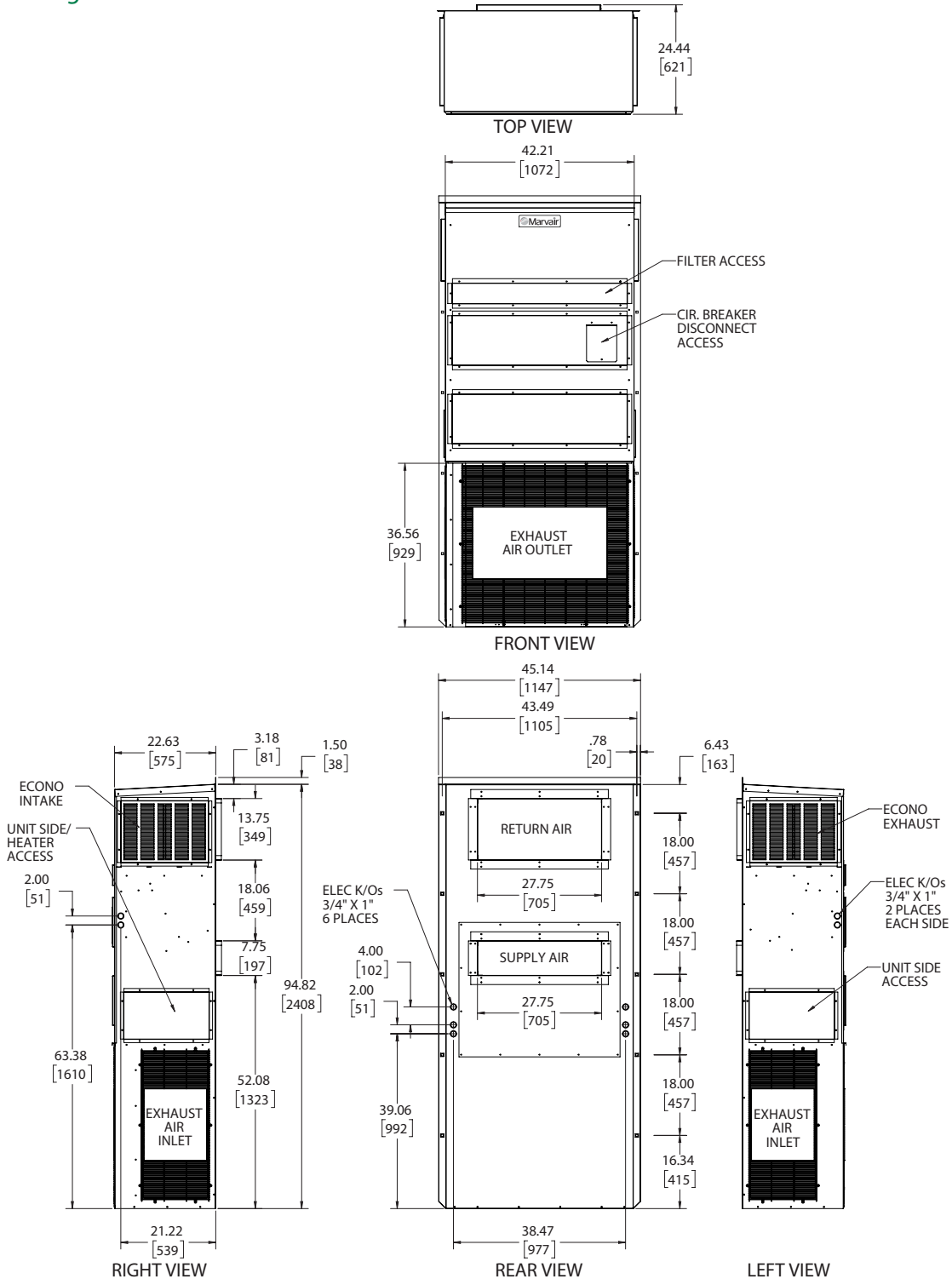
Filter Size

MAA1036A & MAA2036A	INCHES	MILLIMETERS	PART NUMBER	FILTERS PER UNIT	MERV RATING
RETURN AIR FILTER	15½ x 36½ x 2	394 x 927 x 51	92985	1	8

Note: All overall outside dimensions are given with +/- .250" (6mm) tolerance.

Dimensional Data - MAA1036A 3T3 Center Supply/Top Return

Engineering Revision "D"



Installation Weight

MAA1036A	Base	w/Economizer	w/3 Phase	w/Economizer & 3 Phase
Pounds	535	558	588	611
Kilograms	243	253	267	277

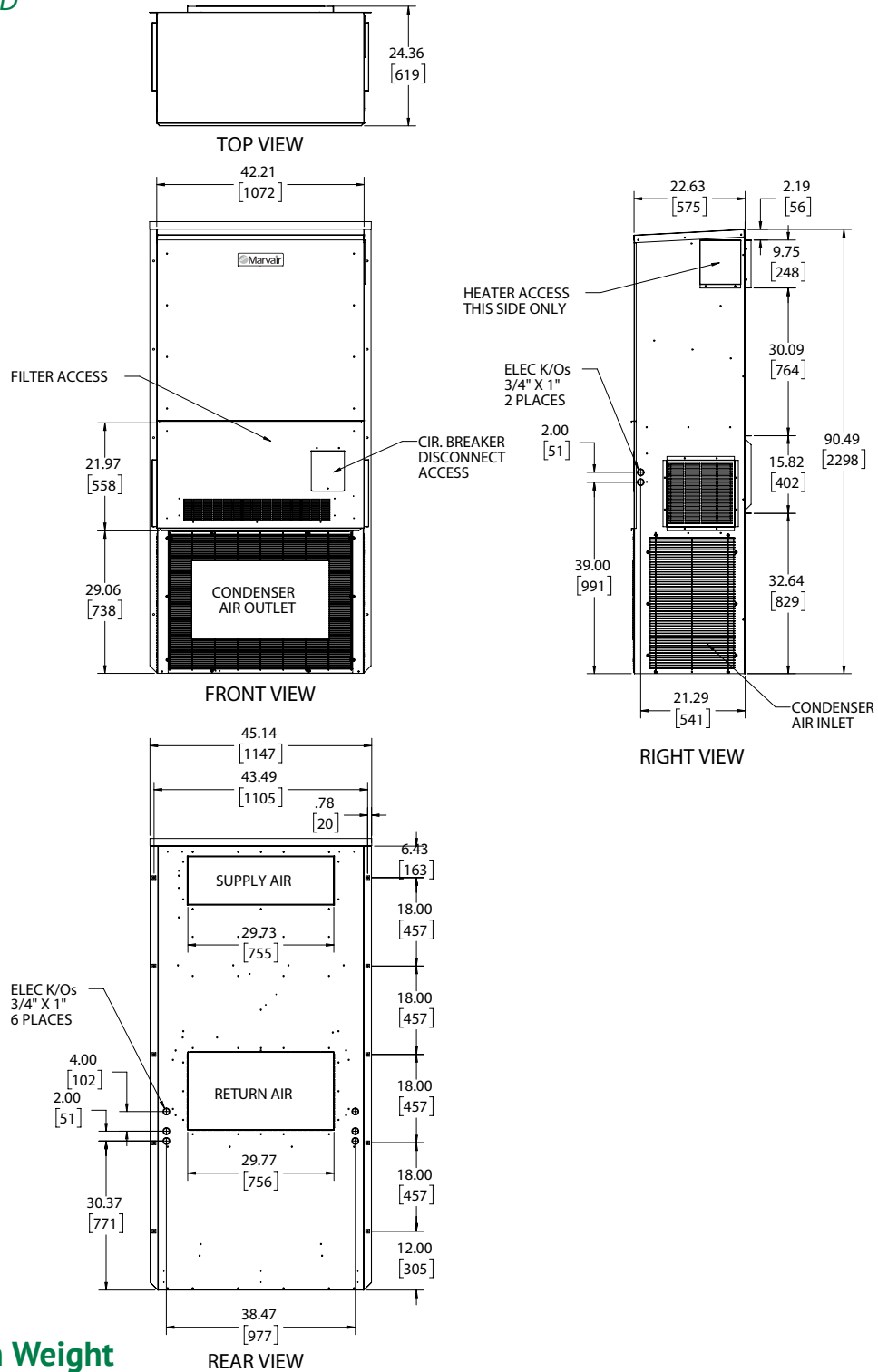
Filter Size

MAA1036A	INCHES	MILLIMETERS	PART NUMBER	FILTERS PER UNIT	MERV RATING
RETURN AIR FILTER	36½ x 22 x 2	927 x 559 x 51	80162	1	8 (STD)

Note: All overall outside dimensions are given with +/- .250" (6mm) tolerance.

Dimensional Data - MAA1042A, MAA1048A & MAA2042A, MAA2048A

Engineering Revision "D"



Installation Weight

MAA1042A, MAA1048A & MAA2042, MAA2048A	Base	w/Economizer	w/3 Phase	w/Economizer & 3 Phase
Pounds	469	492	522	545
Kilograms	213	223	237	247

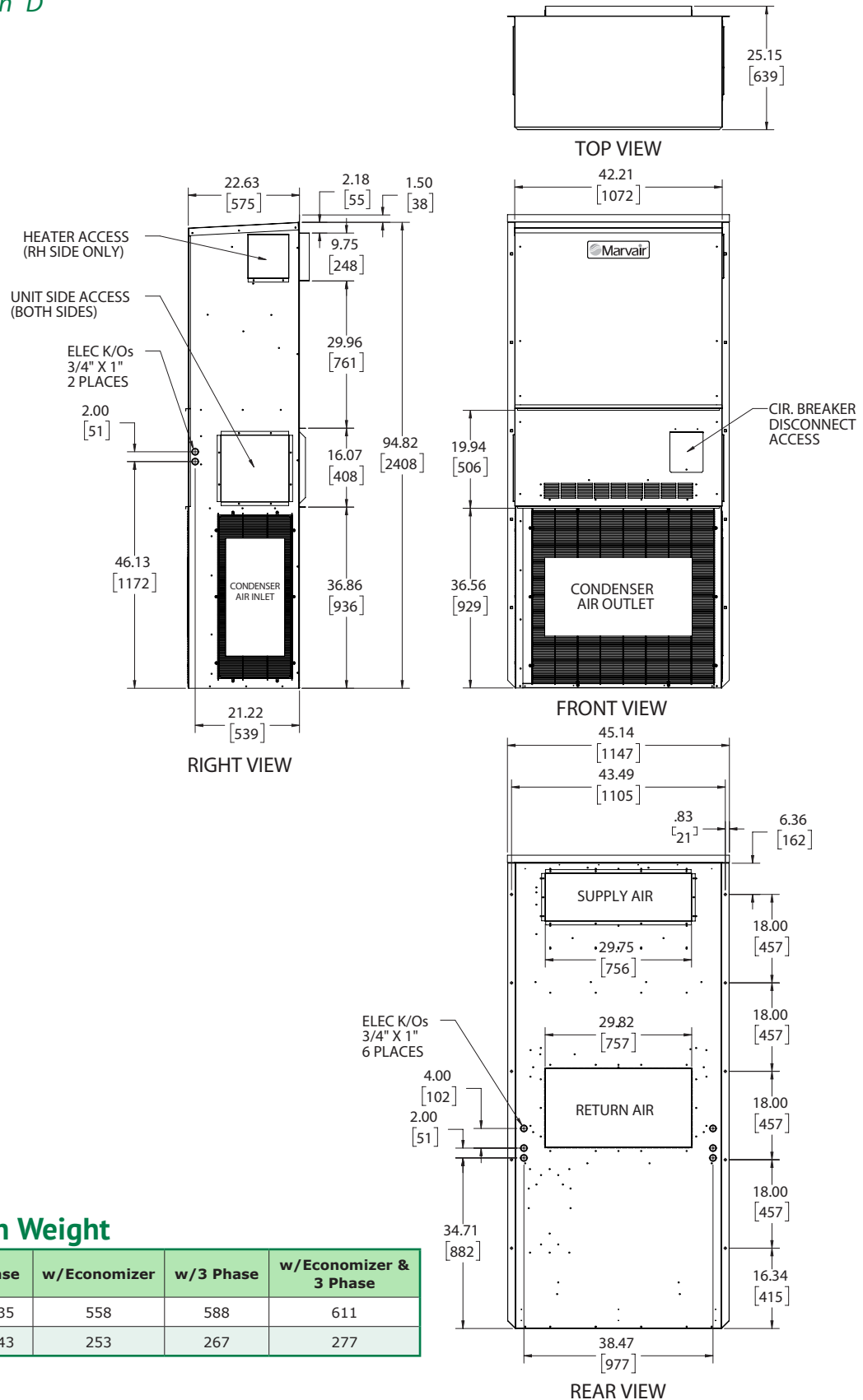
Filter Size

MAA1042A, MAA1048A & MAA2042, MAA2048A	INCHES	MILLIMETERS	PART NUMBER	FILTERS PER UNIT	MERV RATING
RETURN AIR FILTER	36½ x 22 x 2	927 x 559 x 51	80162	1	8 (STD)

Note: All overall outside dimensions are given with +/- .250" (6mm) tolerance.

Dimensional Data - MAA1060A & MAA2060A

Engineering Revision "D"



Installation Weight

MAA1060A MAA2060A	Base	w/Economizer	w/3 Phase	w/Economizer & 3 Phase
Pounds	535	558	588	611
Kilograms	243	253	267	277

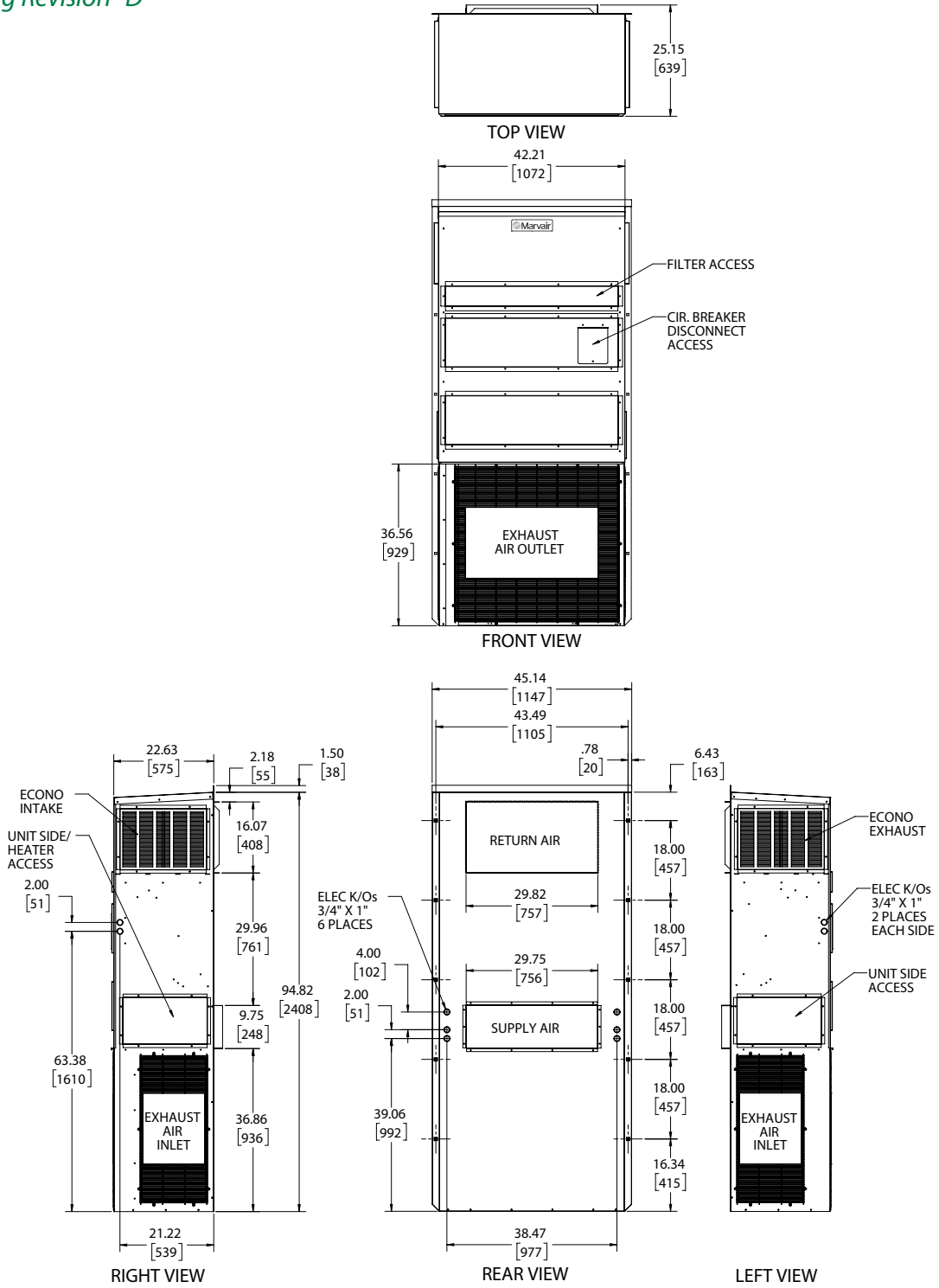
Filter Size

MAA1060A & MAA2060A	INCHES	MILLIMETERS	PART NUMBER	FILTERS PER UNIT	MERV RATING
RETURN AIR FILTER	36½ x 22 x 2	927 x 559 x 51	80162	1	8 (STD)

Note: All overall outside dimensions are given with +/- .250" (6mm) tolerance.

Dimensional Data - MAA1060A 3T5 & 5T5 Center Supply/Top Return

Engineering Revision "D"



Installation Weight

MAA1060A	Base	w/Economizer	w/3 Phase	w/Economizer & 3 Phase
Pounds	535	558	588	611
Kilograms	243	253	267	277

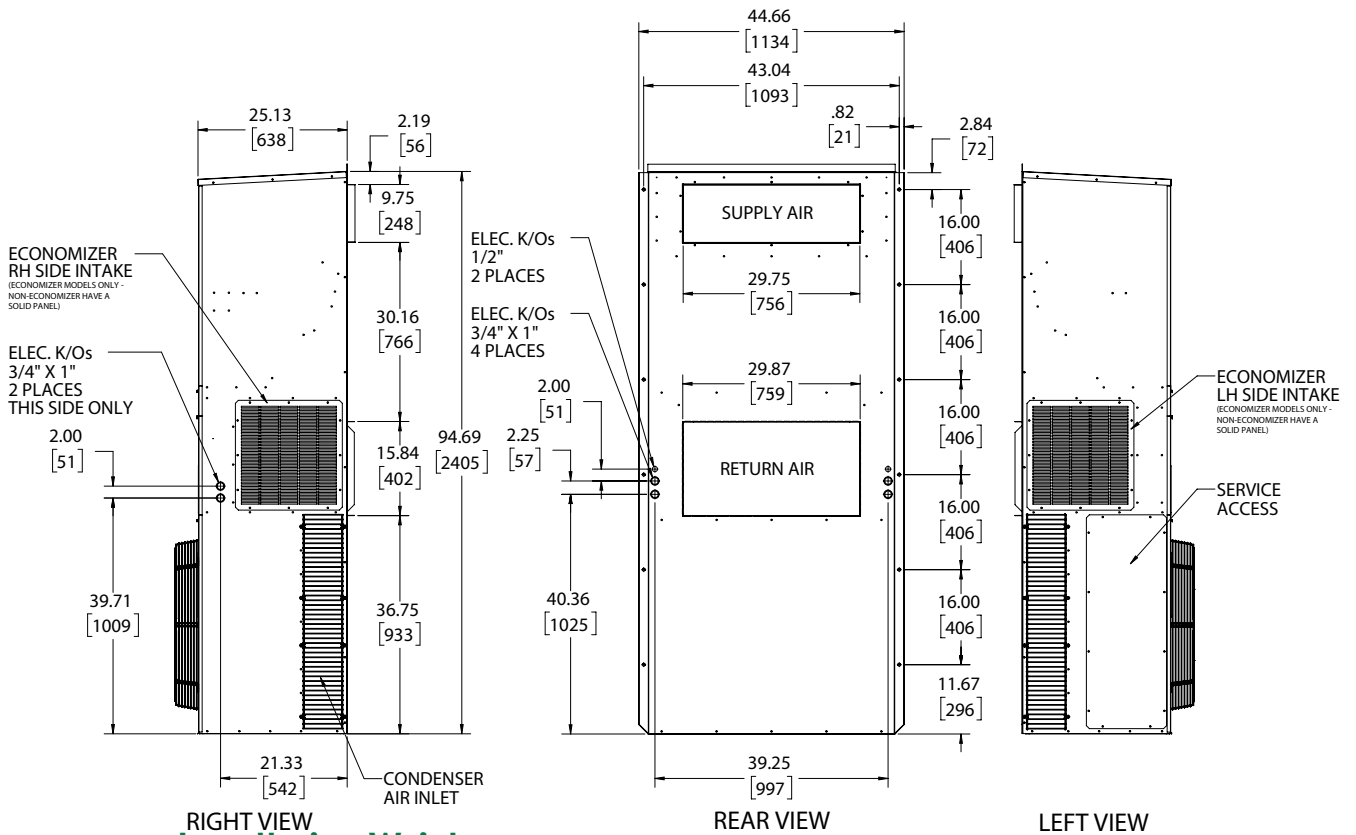
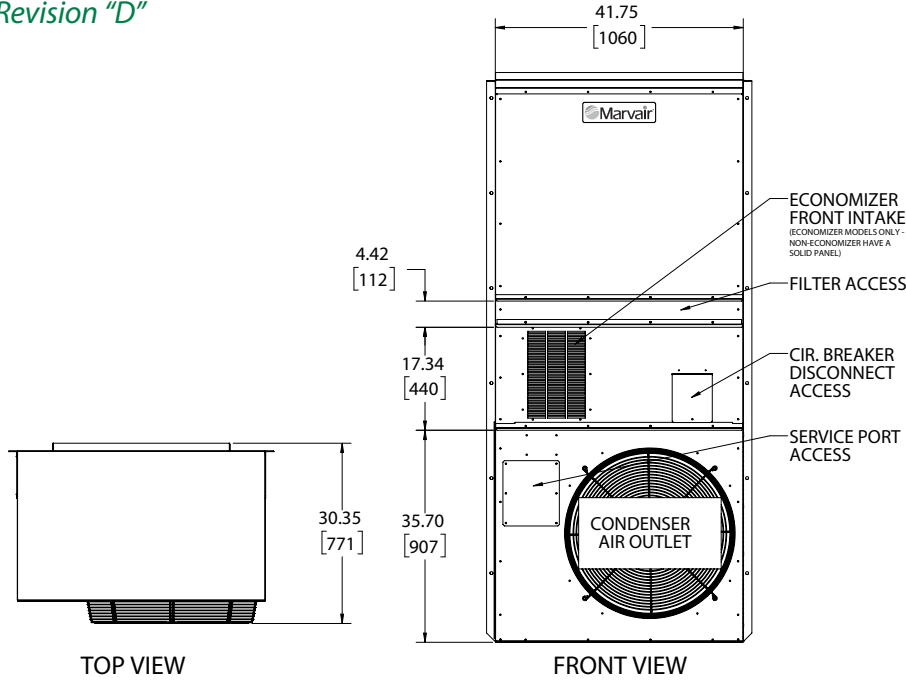
Filter Size

MAA1060A	INCHES	MILLIMETERS	PART NUMBER	FILTERS PER UNIT	MERV RATING
RETURN AIR FILTER	36½ x 22 x 2	927 x 559 x 51	80162	1	8 (STD)

Note: All overall outside dimensions are given with +/- .250" (6mm) tolerance.

Dimensional Data - MGA1072A & MGA2072A

Engineering Revision "D"



Installation Weight

MGA1072A MGA2072A	Base	w/Economizer	w/3 Phase	w/Economizer & 3 Phase
Pounds	583	606	636	659
Kilograms	264	275	288	299

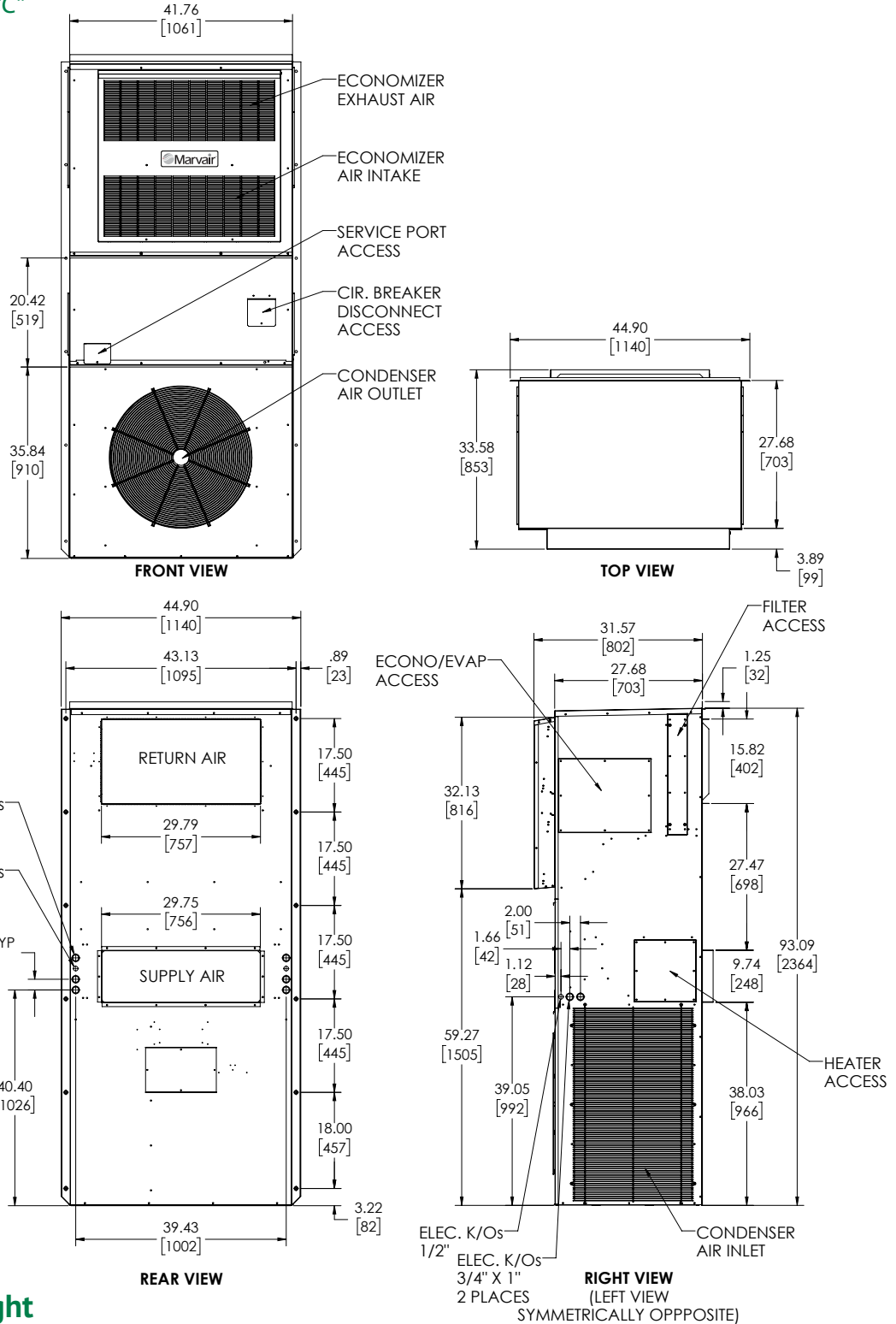
Filter Size

MGA1072A & MGA2072A	INCHES	MILLIMETERS	PART NUMBER	FILTERS PER UNIT	MERV RATING
RETURN AIR FILTER	24 x 30 x 2	610 x 762 x 51	93587	1	8 (STD)

Note: All overall outside dimensions are given with +/- .250" (6mm) tolerance.

Dimensional Data - MAA1060A, MAA2060A & MGA1072A, MGA2072A Center Supply/Top Return

Engineering Revision "C"



Installation Weight

MAA1060A, MAA2060A & MGA1072A, MGA2072A Center Supply/Top Return	Base	w/Economizer	w/3 Phase	w/Economizer & 3 Phase
Pounds	682	705	735	758
Kilograms	309	321	333	344

Filter Size

MAA1060A, MAA2060A & MGA1072A, MGA2072A Center Supply/Top Return	INCHES	MILLIMETERS	PART NUMBER	FILTERS PER UNIT	MERV RATING
RETURN AIR FILTER	20 x 22 x 2	508 x 559 x 51	93275	1	8 (STD)

Note: All overall outside dimensions are given with +/- .250" (6mm) tolerance.

Notes



Please consult the Marvair® website at www.marvair.com for the latest product literature. Detailed dimensional data is available upon request. A complete warranty statement can be found in each product's Installation/Operation Manual, on our website or by contacting Marvair at 229-273-3636. As part of the Marvair continuous improvement program, specifications are subject to change without notice.



Marvair®

An ACS Brand

P.O. Box 400 • Cordele, GA 31010
156 Seedling Drive • Cordele, GA 31015
Ph: 229-273-3636 • Fax: 229-273-5154

Email: marvair@airxcs.com • Internet: www.marvair.com

Designed,
Engineered
—★ & ★—
Assembled
In the USA