

Marvair Wall Mount Air Conditioners and Heat Pumps Sound Reduction



General Description

Marvair wall mount air conditioners and heat pumps are available with low sound options. See below for certified sound level data and ordering options.

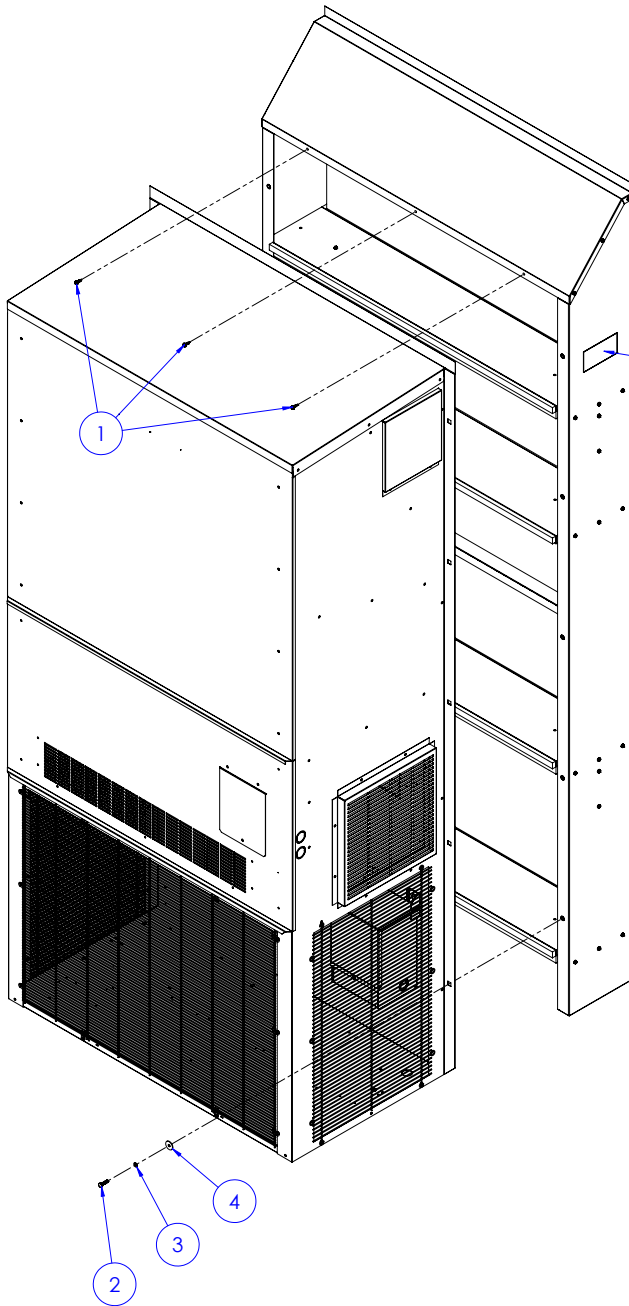
► Low Sound Options

BASIC MODEL	SOUND CURB		SOUND PLENUM	
	MODEL	KIT NUMBER	MODEL	KIT NUMBER
GAH1030A-1-A3	TBA	TBA	TBA	TBA
GAH1036A-1-A3	TBA	TBA	TBA	TBA
GAH1042A-1-B3	TBA	TBA	SPMAA48D3	K/40223
GAH1048A-1-B3	TBA	TBA	SPMAA48D3	K/40223
GAH1060A-1-B3	TBA	TBA	SPMAA48D3	K/40223
MAH1024A-1-C3	TBA	TBA	TBA	TBA
MAH1024H-1-A3	TBA	TBA	TBA	TBA
MAH1036A-1-B3	TBA	TBA	TBA	TBA
MAH1030A-1-C3	TBA	TBA	TBA	TBA
MAH1036A-1-C3	TBA	TBA	TBA	TBA
MAH1030H-1-A3	TBA	TBA	TBA	TBA
MAH1036H-1-A3	TBA	TBA	TBA	TBA
MAH1042A-1-D3	SCMAA48D3	K/40241	SPMAA48D3	K/40223
MAH1042H-1-D3	SCMAA48D3	K/40241	SPMAA48D3	K/40223
MAH1048A-1-D3	SCMAA48D3	K/40241	SPMAA48D3	K/40223
MAH1048H-1-D3	SCMAA48D3	K/40241	SPMAA48D3	K/40223
MAH1060A-1-D3	SCMAA48D3	K/40241	SPMAA48D3	K/40223
MAH1060H-1-D3	SCMAA48D3	K/40241	SPMAA48D3	K/40223
MGH1060A-2-C3	TBA	TBA	SPMAA48D3	K/40223
MGH1072A-1-D3	TBA	TBA	SPMAA48D3	K/40223
MGH1072H-1-A3	TBA	TBA	SPMAA48D3	K/40223
MGH1072A-2-C3	TBA	TBA	SPMAA48D3	K/40223

► **Measured Noise Level**

Configuration						
NO ACCESSORIES						
Wall Mount Indoor Sound Testing (5 Feet)						
Tonnage	Background	1st Stage	2nd Stage	Blower Only	Integrated	W/ Correction
4	33.5	51.2	55.8	55.7	55.0	54.9
Wall Mount Indoor Sound Testing (10 Feet)						
Tonnage	Background	1st Stage	2nd Stage	Blower Only	Integrated	W/ Correction
4	33.5	48.4	52.3	52.3	51.6	51.5
OUTDOOR CURB ONLY						
Wall Mount Indoor Sound Testing (5 Feet)						
Tonnage	Background	1st Stage	2nd Stage	Blower Only	Integrated	W/ Correction
4	33.5	49.5	52.4	48.9	49.9	49.8
Wall Mount Indoor Sound Testing (10 Feet)						
Tonnage	Background	1st Stage	2nd Stage	Blower Only	Integrated	W/ Correction
4	33.5	47.1	49.6	46.2	47.2	47.0
INTERIOR SOUND PLENUM ONLY						
Wall Mount Indoor Sound Testing (5 Feet)						
Tonnage	Background	1st Stage	2nd Stage	Blower Only	Integrated	W/ Correction
4	33.5	49.2	51	41.5	47.0	46.8
OUTDOOR CURB AND INTERIOR SOUND PLENUM						
Wall Mount Indoor Sound Testing (5 Feet)						
Tonnage	Background	1st Stage	2nd Stage	Blower Only	Integrated	W/ Correction
4	32.1	45.7	49	37.8	44.2	43.9
Wall Mount Indoor Sound Testing (10 Feet)						
Tonnage	Background	1st Stage	2nd Stage	Blower Only	Integrated	W/ Correction
4	32.1	43	45.8	35.8	41.4	40.8
Sound plenum only tested with 4 Ton units.						

Outdoor Wall Curb Installation Detail



WARNING!

When using this "Wall Mount Adapter Kit" with a wall mount air conditioner that contains an electric heater, a sealed sheet metal duct **MUST** be connected to the unit supply flange and extended through the wall supply opening. Maintain a 1 inch clearance between the sheet metal duct and all combustible material for the first 3 feet. Reference: NFPA Standard 90B

L/01074 Rev. 1

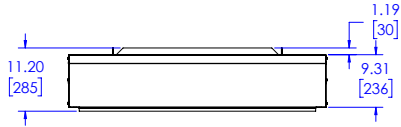
NOTES:

1- ASSEMBLE WMA PLENUM PER DRAWING # ID/01691.

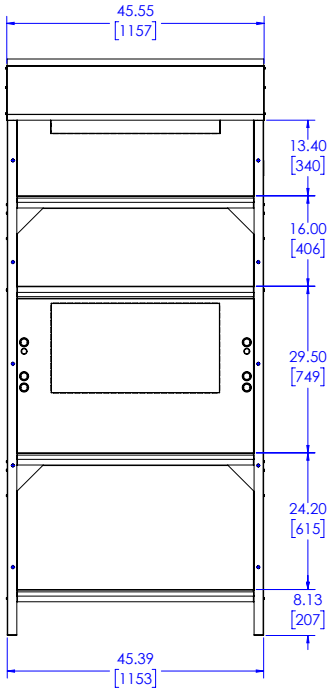
2- CAULK AROUND TOP & SIDES OF PLENUM. MOUNT PLENUM TO BUILDING USING 3/8" HARDWARE. REINFORCEMENT STUDS SHOULD BE PROPERLY LOCATED ON THE WALLS OF THE BUILDING FOR SECURING THE 3/8" HARDWARE.

3- CAULK BETWEEN TOP FLANGE OF AC UNIT AND PLENUM. PLACE AC UNIT TO FRONT OF PLENUM AND ASSEMBLE WITH THE 1/4" HARDWARE PROVIDED (ITEMS 2-4). SECURE TOP FLANGE OF AC UNIT TO PLENUM ASSEMBLY WITH #10 DRILL POINT SCREWS PROVIDED (ITEM 1).

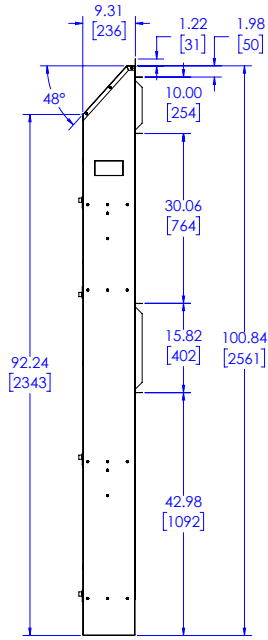
Outdoor Wall Curb Dimensional Drawing



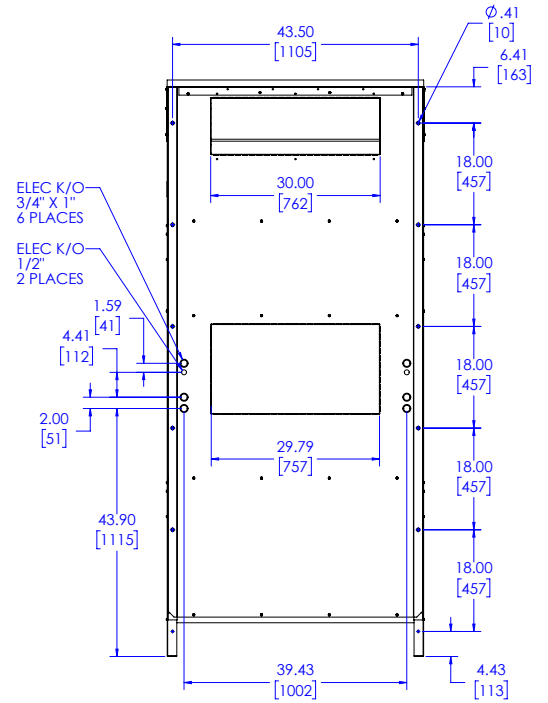
TOP VIEW



FRONT VIEW

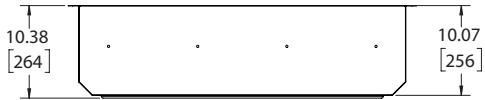


RIGHT VIEW

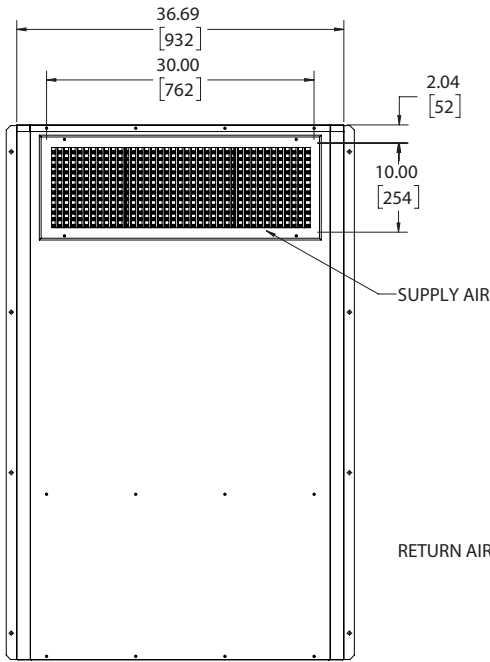


REAR VIEW

Indoor Plenum Dimensional Drawing



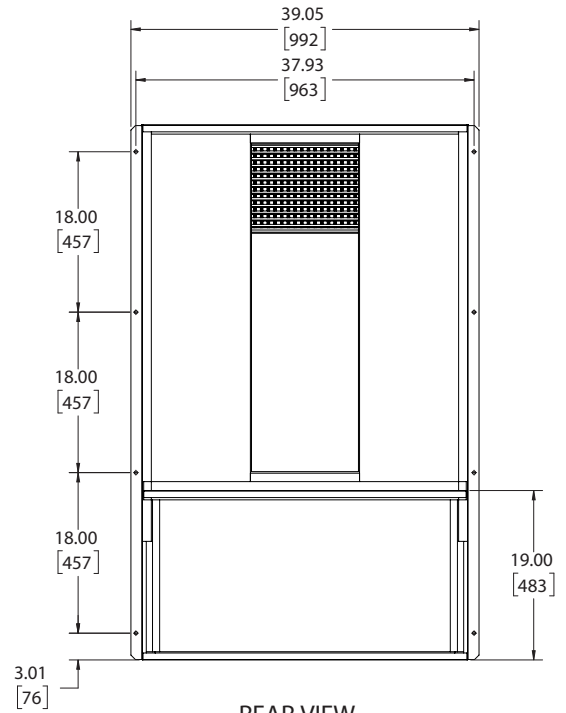
TOP VIEW



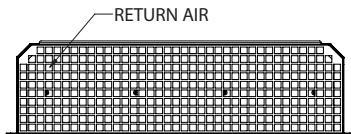
FRONT VIEW



RIGHT VIEW



REAR VIEW



BOTTOM VIEW



Please consult the Marvair® website at www.marvair.com for the latest product literature. Detailed dimensional data is available upon request. A complete warranty statement can be found in each product's Installation/Operation Manual, on our website or by contacting Marvair at 229-273-3636. As part of the Marvair continuous improvement program, specifications are subject to change without notice.



P.O. Box 400 • Cordele, GA 31010
 156 Seedling Drive • Cordele, GA 31015
 Ph: 229-273-3636 • Fax: 229-273-5154
 Email: marvair@airxcs.com • Internet: www.marvair.com

