

### Marvair Wall Mount Air Conditioners and Heat Pumps Sound Reduction



#### General Description

Marvair wall mount air conditioners and heat pumps are available with low sound options. See below for certified sound level data and ordering options.

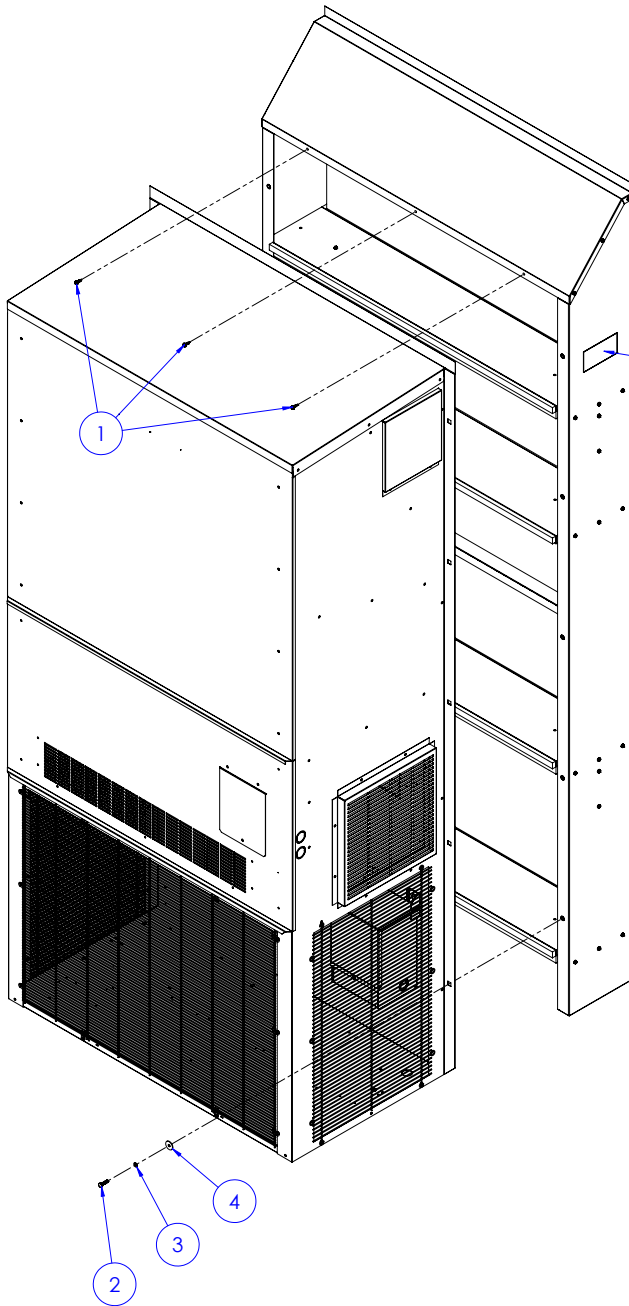
#### ► Low Sound Options

BASIC MODEL	SOUND CURB		SOUND PLENUM	
	MODEL	KIT NUMBER	MODEL	KIT NUMBER
GAH1030A-1-A3	TBA	TBA	TBA	TBA
GAH1036A-1-A3	TBA	TBA	TBA	TBA
GAH1042A-1-B3	TBA	TBA	SPMAA48D3	K/40223
GAH1048A-1-B3	TBA	TBA	SPMAA48D3	K/40223
GAH1060A-1-B3	TBA	TBA	SPMAA48D3	K/40223
MAH1024A-1-C3	TBA	TBA	TBA	TBA
MAH1024H-1-A3	TBA	TBA	TBA	TBA
MAH1036A-1-B3	TBA	TBA	TBA	TBA
MAH1030A-1-C3	TBA	TBA	TBA	TBA
MAH1036A-1-C3	TBA	TBA	TBA	TBA
MAH1030H-1-A3	TBA	TBA	TBA	TBA
MAH1036H-1-A3	TBA	TBA	TBA	TBA
MAH1042A-1-D3	SCMAA48D3	K/40241	SPMAA48D3	K/40223
MAH1042H-1-D3	SCMAA48D3	K/40241	SPMAA48D3	K/40223
MAH1048A-1-D3	SCMAA48D3	K/40241	SPMAA48D3	K/40223
MAH1048H-1-D3	SCMAA48D3	K/40241	SPMAA48D3	K/40223
MAH1060A-1-D3	SCMAA48D3	K/40241	SPMAA48D3	K/40223
MAH1060H-1-D3	SCMAA48D3	K/40241	SPMAA48D3	K/40223
MGH1060A-2-C3	TBA	TBA	SPMAA48D3	K/40223
MGH1072A-1-D3	TBA	TBA	SPMAA48D3	K/40223
MGH1072H-1-A3	TBA	TBA	SPMAA48D3	K/40223
MGH1072A-2-C3	TBA	TBA	SPMAA48D3	K/40223

► **Measured Noise Level**

<b>Configuration</b>						
<b>NO ACCESSORIES</b>						
<b>Wall Mount Indoor Sound Testing (5 Feet)</b>						
Tonnage	Background	1st Stage	2nd Stage	Blower Only	Integrated	W/ Correction
4	33.5	51.2	55.8	55.7	55.0	54.9
<b>Wall Mount Indoor Sound Testing (10 Feet)</b>						
Tonnage	Background	1st Stage	2nd Stage	Blower Only	Integrated	W/ Correction
4	33.5	48.4	52.3	52.3	51.6	51.5
<b>OUTDOOR CURB ONLY</b>						
<b>Wall Mount Indoor Sound Testing (5 Feet)</b>						
Tonnage	Background	1st Stage	2nd Stage	Blower Only	Integrated	W/ Correction
4	33.5	49.5	52.4	48.9	49.9	49.8
<b>Wall Mount Indoor Sound Testing (10 Feet)</b>						
Tonnage	Background	1st Stage	2nd Stage	Blower Only	Integrated	W/ Correction
4	33.5	47.1	49.6	46.2	47.2	47.0
<b>INTERIOR SOUND PLENUM ONLY</b>						
<b>Wall Mount Indoor Sound Testing (5 Feet)</b>						
Tonnage	Background	1st Stage	2nd Stage	Blower Only	Integrated	W/ Correction
4	33.5	49.2	51	41.5	47.0	46.8
<b>OUTDOOR CURB AND INTERIOR SOUND PLENUM</b>						
<b>Wall Mount Indoor Sound Testing (5 Feet)</b>						
Tonnage	Background	1st Stage	2nd Stage	Blower Only	Integrated	W/ Correction
4	32.1	45.7	49	37.8	44.2	43.9
<b>Wall Mount Indoor Sound Testing (10 Feet)</b>						
Tonnage	Background	1st Stage	2nd Stage	Blower Only	Integrated	W/ Correction
4	32.1	43	45.8	35.8	41.4	40.8
Sound plenum only tested with 4 Ton units.						

# Outdoor Wall Curb Installation Detail



## WARNING!

When using this "Wall Mount Adapter Kit" with a wall mount air conditioner that contains an electric heater, a sealed sheet metal duct **MUST** be connected to the unit supply flange and extended through the wall supply opening. Maintain a 1 inch clearance between the sheet metal duct and all combustible material for the first 3 feet. Reference: NFPA Standard 90B

L/01074 Rev. 1

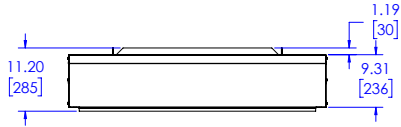
## NOTES:

1- ASSEMBLE WMA PLENUM PER DRAWING # ID/01691.

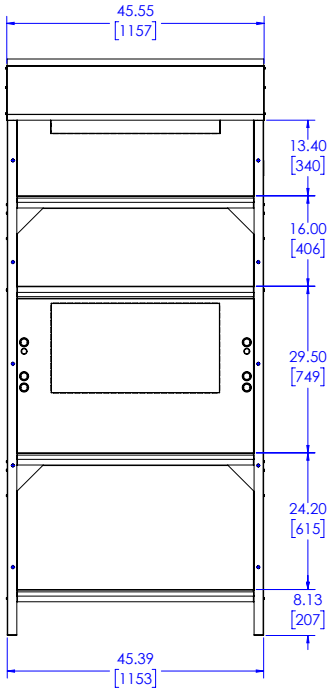
2- CAULK AROUND TOP & SIDES OF PLENUM. MOUNT PLENUM TO BUILDING USING 3/8" HARDWARE. REINFORCEMENT STUDS SHOULD BE PROPERLY LOCATED ON THE WALLS OF THE BUILDING FOR SECURING THE 3/8" HARDWARE.

3- CAULK BETWEEN TOP FLANGE OF AC UNIT AND PLENUM. PLACE AC UNIT TO FRONT OF PLENUM AND ASSEMBLE WITH THE 1/4" HARDWARE PROVIDED (ITEMS 2-4). SECURE TOP FLANGE OF AC UNIT TO PLENUM ASSEMBLY WITH #10 DRILL POINT SCREWS PROVIDED (ITEM 1).

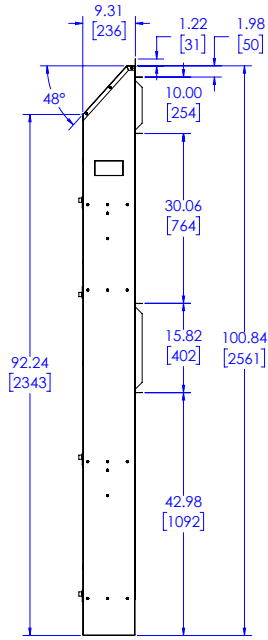
# Outdoor Wall Curb Dimensional Drawing



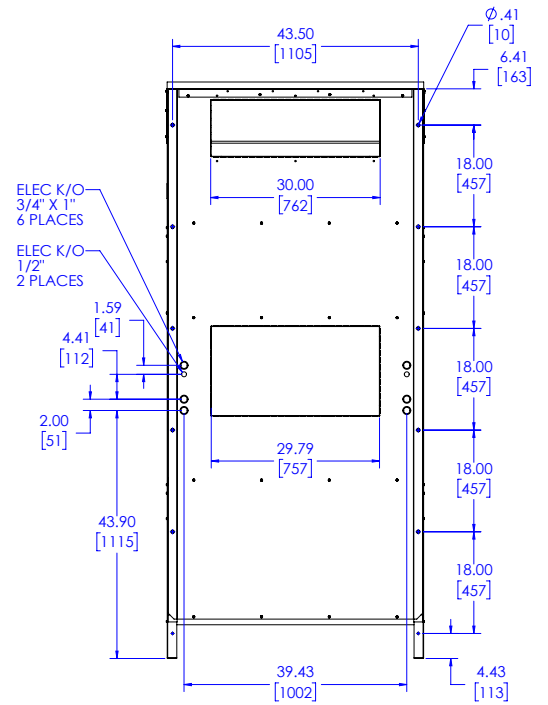
TOP VIEW



FRONT VIEW

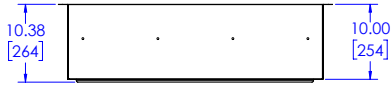


RIGHT VIEW

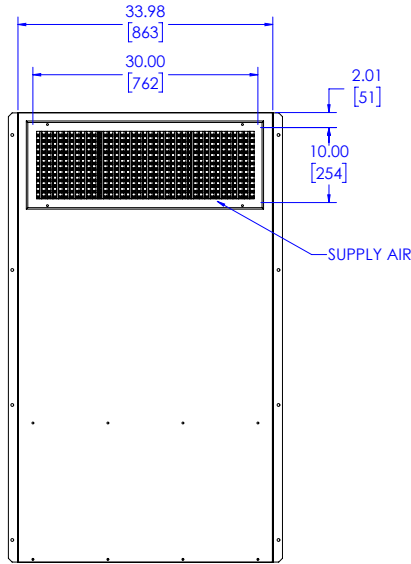


REAR VIEW

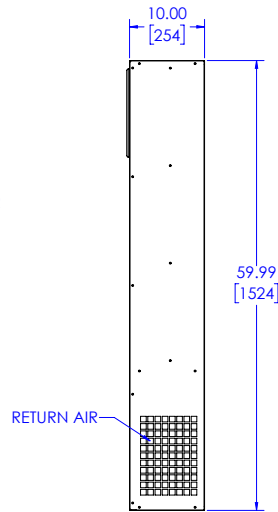
# Indoor Plenum Dimensional Drawing



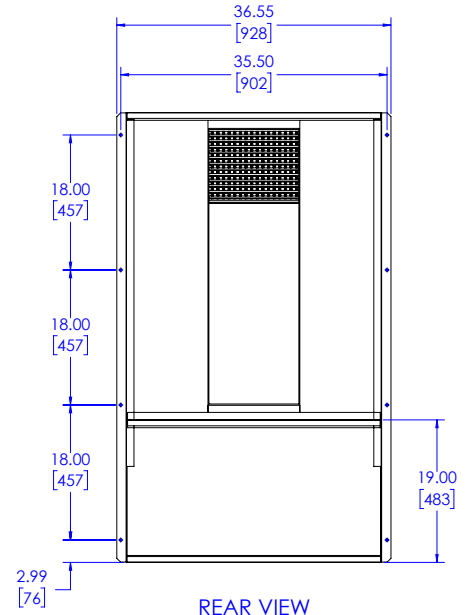
TOP VIEW



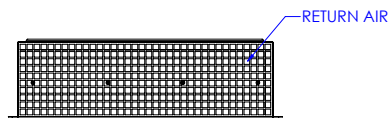
FRONT VIEW



RIGHT VIEW



REAR VIEW



BOTTOM VIEW



Please consult the Marvair® website at [www.marvair.com](http://www.marvair.com) for the latest product literature. Detailed dimensional data is available upon request. A complete warranty statement can be found in each product's Installation/Operation Manual, on our website or by contacting Marvair at 229-273-3636. As part of the Marvair continuous improvement program, specifications are subject to change without notice.



P.O. Box 400 • Cordele, GA 31010  
 156 Seedling Drive • Cordele, GA 31015  
 Ph: 229-273-3636 • Fax: 229-273-5154  
 Email: [marvair@airxcs.com](mailto:marvair@airxcs.com) • Internet: [www.marvair.com](http://www.marvair.com)

